

Pressure transmitter for connection to WIKA radio unit

Models PEU-20 and PEU-21

WIKA data sheet PE 87.24



For further approvals,
see page 6

Applications

- Remote monitoring of the process pressure for non-critical applications in combination with WIKA model NETRIS®3 radio unit
- Industrial pressure measurement for gases and liquids
- Process industry: Oil and gas, chemical and petrochemical industries, water and wastewater, power generation
- Pharmaceutical and hygienic industry, food industry

Special features

- IIoT-capable measuring instrument in combination with WIKA model NETRIS®3 radio unit
- Intrinsically safe version Ex i per ATEX, IECEx
- Measuring ranges from 0 ... 1 to 0 ... 1,600 bar [0 ... 15 to 0 ... 20,000 psi] as well as vacuum and +/- measuring ranges



Pressure transmitter for connection to WIKA radio unit, model PEU-20

Description

The model PEU-2x in combination with the WIKA model NETRIS®3 radio unit is used wherever web-based remote monitoring of the process pressure of liquids and gases is desired. Typical applications are mobile parts of plants or remote measuring locations. The connection to NETRIS®3 allows for cloud-based process and plant monitoring in industrial applications.

Via retrofit, machinery or moving parts can be smartly configured – without having to plan and document cable routing. Particularly when no continuous measurement is needed, cost advantages can be realised.

The pressure transmitter enables simple condition monitoring. A temperature indication inside the case, in addition to

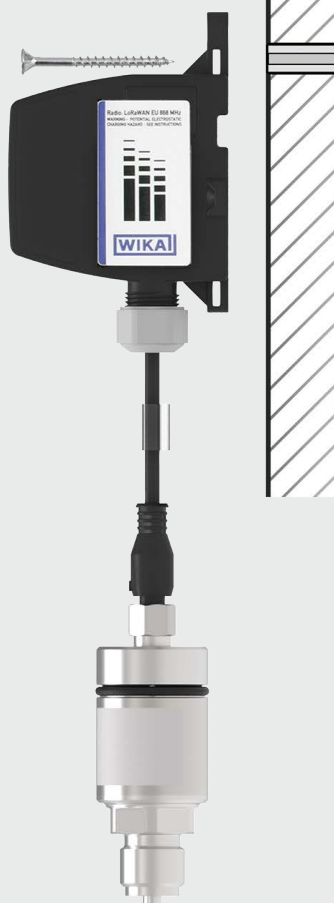
the pressure value, reveals possible malfunctions due to wear or system faults at an early stage and thus reduces the risk of downtime and damage.

The PEU-2x pressure transmitter is part of the WIKA IIoT solution. With this, WIKA offers a holistic solution for your digitalisation strategy.

Installation example

Model PEU-2x with WIKA model NETRIS®3 radio unit

Wall mounting of model NETRIS®3



Specifications

Overview of versions	
Model	Description
PEU-20	With pressure port
PEU-21	With flush connection

Accuracy specifications	
Accuracy	<ul style="list-style-type: none"> ■ 0.5 % of span ■ 0.25 % of span ($\leq 1,000$ bar [15,000 psi]) ■ 0.1 % of span ($\leq 1,000$ bar [15,000 psi]) → 0.1 % of span at < 1.6 bar [23 psi], relative and bar abs. not possible
Zero point setting	-20 ... 95 % (limited by 0 bar absolute)
Non-repeatability per IEC 62828-2	
Measuring ranges $\leq 1,000$ bar [15,000 psi]	≤ 0.1 % of span
Measuring ranges $> 1,000$ bar [15,000 psi]	≤ 0.5 % of span
Total probable error per IEC 62828-2	Rated temperature range per DIN 16086: -40 ... +80 °C [-104 ... +176 °F] Ambient temperature range whose specification limits must not be exceeded.
Long-term stability per IEC 62828-1	
Measuring ranges < 1 bar [15 psi]	Max. 0.35 % of span/year
Measuring ranges ≥ 1 ... < 1.6 bar [≥ 15 ... < 20 psi]	Max. 0.15 % of span/year
Measuring ranges ≥ 1.6 ... ≤ 40 bar [≥ 20 ... ≤ 500 psi]	Max. 0.10 % of span/year
Measuring ranges > 40 bar [> 500 psi]	Max. 0.05 % of span/year
Reference conditions	Per IEC 62828-1

Measuring ranges, gauge pressure¹⁾

bar	
0 ... 1	0 ... 60
0 ... 1.6	0 ... 100
0 ... 2.5	0 ... 160
0 ... 4	0 ... 250
0 ... 6	0 ... 400
0 ... 10	0 ... 600
0 ... 16	0 ... 1000
0 ... 25	0 ... 1600
0 ... 40	-

psi	
0 ... 15	0 ... 5,000
0 ... 30	0 ... 10,000
0 ... 100	0 ... 15,000
0 ... 500	0 ... 20,000
0 ... 1,500	-

Measuring ranges, absolute pressure

bar abs.	
0 ... 1	0 ... 10
0 ... 1.6	0 ... 16
0 ... 2.5	0 ... 25
0 ... 4	0 ... 40
0 ... 6	-

psi abs.	
0 ... 15	0 ... 150
0 ... 20	0 ... 200
0 ... 30	0 ... 300
0 ... 50	0 ... 500
0 ... 100	-

1) For measuring ranges > 600 bar [10,000 psi] only the model PEU-20 is available

Vacuum and +/- measuring ranges

bar	
-0.2 ... +0.2	-1 ... 5
-1 ... 0	-1 ... 10
-1 ... 0.6	-1 ... 15
-1 ... 1.5	-1 ... 25
-1 ... 3	-1 ... 40

psi	
-14.5 ... 0	-14.5 ... 300
-14.5 ... 15	-

Other measuring ranges on request.

Further details on: Measuring range	
Units	<ul style="list-style-type: none"> ■ bar ■ psi ■ bar abs. ■ psi abs.
Maximum working pressure	→ Corresponds to the upper measuring range value/measuring range full scale value
Overpressure limit	The overpressure limit is based on the measuring range. Depending on the selected process connection and the seal, restrictions in overpressure limit can result. Use of the instrument in the range between the upper measuring range value/measuring range full scale value and the overpressure limit is not considered normal operation and is only permissible for a short time.
Measuring ranges ≤ 40 bar [500 psi]	3 times
Measuring ranges 40 ... 1,000 bar [500 ... 15,000 psi]	2 times
Measuring range 1,600 bar [20,000 psi]	1.5 times
Vacuum resistance	Yes (not for oxygen applications)

Process connection		
Per standard	Thread size	Possible measuring ranges
Model PEU-20		
EN 837	G 3/8 B	≤ 0 ... 1,000 bar [0 ... 15,000 psi]
	G 1/2 B	≤ 0 ... 1,000 bar [0 ... 15,000 psi]
	M20 x 1.5	≤ 0 ... 1,000 bar [0 ... 15,000 psi]
ANSI / ASME B1.20.1	1/2 NPT	≤ 0 ... 1,000 bar [0 ... 15,000 psi]
	1/2 NPT, 1/4 female thread	≤ 0 ... 1,000 bar [0 ... 15,000 psi]
	1/4 NPT	≤ 0 ... 1,000 bar [0 ... 15,000 psi]
-	M16 x 1.5, female thread with sealing cone	≥ 0 ... 100 bar [0 ... 1,500 psi]
	M20 x 1.5, female thread with sealing cone	≥ 0 ... 1,600 bar [0 ... 20,000 psi]
	9/16-18 UNF, female thread F 250-C	≥ 0 ... 100 bar [0 ... 1,500 psi]
Model PEU-21		
-	G 1/2 B	0 ... 6 to 0 ... 600 bar [0 ... 100 to 0 ... 5,000 psi]
	G 1 B	≤ 0 ... 1.6 bar [0 ... 30 psi]
	G 1 1/2 B	≤ 0 ... 1.6 bar [0 ... 30 psi]
	G 1 hygienic ^{1) 2)}	≤ 0 ... 16 bar [0 ... 100 psi]
	G 1 hygienic with cooling element ²⁾	≤ 0 ... 16 bar [0 ... 100 psi]

Process connection		
Per standard	Thread size	Possible measuring ranges
TRI-CLAMP®	DN 1½ with cooling element for 150 °C [302 °F]	≤ 0 ... 40 bar [0 ... 500 psi]
	DN 2 with cooling element for 150 °C [302 °F]	≤ 0 ... 40 bar [0 ... 500 psi]
Clamp DIN 32676	DN 40 with cooling element for 150 °C [302 °F]	≤ 0 ... 40 bar [0 ... 500 psi]
	DN 50 with cooling element for 150 °C [302 °F]	≤ 0 ... 40 bar [0 ... 500 psi]
Grooved union nut DIN 11851 with conical coupling	DN 25 with cooling element for 150 °C [302 °F]	≤ 0 ... 40 bar [0 ... 500 psi]
	DN 50 with cooling element for 150 °C [302 °F]	≤ 0 ... 25 bar [0 ... 500 psi]
NEUMO BioConnect®	DN 40 form V with cooling element for 150 °C [302 °F]	≤ 0 ... 16 bar [0 ... 500 psi]
VARINLINE®	Form N with cooling element for 150 °C [302 °F], DN 40 ... 50	≤ 0 ... 16 bar [0 ... 500 psi]
	Form F with cooling element for 150 °C [302 °F], DN 25	≤ 0 ... 16 bar [0 ... 500 psi]

1) Also available as high-temperature version to 150 °C [302 °F] with extended EPDM or FKM seal.

2) Suitable WIKA adapter system model 910.61; see data sheet AC 09.20

Details must be tested separately in the respective application. The specified values for the overpressure limit serve only as a rough orientation. The values depend on the temperature, the seal used, the selected torque, the type and material of the mating thread and the prevailing operating conditions.

Digital interface	
Signal type	Unified WIKA Interface (UWI)
Digital signal resolution	< 0.01 % of measuring span
Connection type	Plug connection for NETRIS®3 M12 connector

Material		
Materials (wetted)		
PEU-20		
≤ 40 bar [500 psi]	All process connections	Stainless steel 1.4404 / 316L Sensor: stainless steel 1.4404 / 316L
> 40 bar [500 psi]	All process connections	Process connection: stainless steel 1.4404 / 316L Sensor: Elgiloy® 2.4711
> 1,000 bar [15,000 psi]	All process connections	Process connection: stainless steel 1.4534 / 904L Sensor: stainless steel 1.4534 / 904L
PEU-21		
All measuring ranges	All process connections	Process connection: stainless steel 1.4435 / 316L Diaphragm: stainless steel 1.4435 / 316L
	■ G ½	Process connection: Hastelloy® HC276 / 2.4819 Diaphragm: Hastelloy HC276 / 2.4819
	■ G 1	
	■ G ½	Process connection: gold-plated Diaphragm: gold-plated ¹⁾
■ G 1		
Seal	<ul style="list-style-type: none"> ■ NBR ■ EPDM ■ FKM 	
	→ For PEU-21 G-threads up to max. +105 °C [221 °F]	
Surface roughness with hygienic connections	<ul style="list-style-type: none"> ■ Unpolished surface $R_a \leq 0.5 \mu\text{m}$ ■ Polished surface $R_a \leq 0.38 \mu\text{m}$ 	
System fill fluid		

Material		
PEU-20	Measuring range ≤ 40 bar [500 psi]	Synthetic oil (halocarbon oil for oxygen applications)
	Measuring range > 40 bar [500 psi]	Dry measuring cell
PEU-21	All measuring ranges	<ul style="list-style-type: none"> ■ Synthetic oil (halocarbon oil for oxygen applications) ■ NEOBEE M-20 FDA (art. no. 1490451)

1) Accuracy 0.1 % not available for gold-plated sensors.

All connections are NACE-compatible (MR0103 and MR0175). No NACE with measuring ranges > 1,000 bar [15,000 psi], see table "Process connection".




Version for special media		
Food	FDA-listed, food-compatible system fill fluid	
Oil- and grease-free	Per G93:2019 level D (< 220 mg/m ²)	
Oxygen, oil- and grease-free	<ul style="list-style-type: none"> ■ Per G93:2019 level D (< 220 mg/m²) ■ Particle < 1,000 µm 	
Hydrogen	Measuring ranges	≥ 100 bar [1,450 psi]
	Material (wetted)	316L and Elgiloy (2.4711)
	Max. permissible temperature	30 °C [86 °F]
	With the measurement of hydrogen, preferably, a gold-plated diaphragm should be used. If this is not technically possible, a higher long-term drift should be expected. Use with pressures ≥1,000 bar [≥14,500 psi] is not permissible.	

Operating conditions		
Medium temperature limit	→ See "Safety-related characteristic values (Ex)"	
	Oxygen application	-20 ... +60 °C [-4 ... +140 °F]
Medium temperature limit due to sealing material (only for model PEU-21)		
NBR	-20 ... +105 °C [-4 ... +221 °F]	
FKM	-20 ... +105 °C [-4 ... +221 °F]	
FKM	-20 ... +150 °C [-4 ... +302 °F] ¹⁾	
EPDM	-40 ... +105 °C [-40 ... +221 °F]	
EPDM	-40 ... +150 °C [-40 ... +302 °F] ²⁾	
Ambient temperature limit	-40 ... +80 °C [-40 ... +176 °F] ²⁾	
Storage temperature limit	-40 ... +80 °C [-40 ... +176 °F]	
Relative humidity per IEC 62828-1	50 ... 70 % relative humidity (non-condensing)	
Vibration resistance per DNVGL-CG-0339		
For instruments without cooling element	4g (5 ... 100 Hz)	
For instruments with cooling element	0.7g (5...100 Hz)	
Shock resistance per IEC 60068-2-27		
For instruments without cooling element	100g [6 ms]	
For instruments without cooling element	50g [6 ms]	
For instruments with measuring range 1,000 bar [15,000 psi]	20g [6 ms]	
Mounting position	Vertical, diaphragm points downward	
Ingress protection per IEC 60529	IP66/67	
	The ingress protection only applies with a correct plug connection with model NETRIS®3	

1) Process connection with cooling element

2) Instrument with angular connector or circular connector: -30 ... +80 °C [-22 ... +176 °F]

Approvals

Logo	Description	Region
	EU declaration of conformity	European Union
	ATEX directive Hazardous areas	
	- Ex i Zone 0 gas II 1G Ex ia IIC T6...T1 Ga - Ex i Zone 1 mounting to zone 0 gas II 1/2G Ex ia IIC T6...T1 Ga/Gb - Ex i Zone 1 gas II 2G Ex ia IIC T6...T1 Gb - Ex i Zone 20 dust II 1D Ex ia IIC T135°C Da - Ex i Zone 21 mounting to zone 20 dust II 1/2D Ex ia IIC T135 °C Da/Db - Ex i Zone 21 dust II 2D Ex ia IIC T135°C Db	
	EMC directive EN 61326 emission (group 1, class B) and immunity (industrial application)	
	Pressure Equipment Directive (pressure accessory, module A)	
RoHS directive		
	IECEx Hazardous areas	International
- Ex i Zone 0 gas Ex ia IIC T6...T1 Ga - Ex i Zone 1 mounting to zone 0 gas Ex ia IIC T6...T1 Ga/Gb - Ex i Zone 1 gas Ex ia IIC T6...T1 Gb - Ex i Zone 20 dust Ex ia IIC T135°C Da - Ex i Zone 21 mounting to zone 20 dust Ex ia IIC T135 °C Da/Db - Ex i Zone 21 dust Ex ia IIC T135°C Db		
	EHEDG Hygienic Equipment Design (only for PEU-21)	European Union

Manufacturer's declaration

Logo	Description
-	Manufacturer's declaration regarding EU regulation 1935/2004 EC
-	Manufacturer's declaration GB 4806.1-2016 China National Food Safety Standard - Good Manufacturing Practice GB 31603-2015 (GMP)

Certificates

Certificates	
Certificates	<ul style="list-style-type: none"> ■ Without ■ 2.2 test report per EN 10204 (e.g. state-of-the-art manufacturing, material proof, measurement accuracy) ■ 3.1 inspection certificate per EN 10204 (e.g. material proof for wetted metal parts)
Calibration	<ul style="list-style-type: none"> ■ Without ■ 3.1 inspection certificate per EN 10204 (factory calibration) ■ DAkkS calibration certificate (traceable and accredited in accordance with ISO/IEC 17025)
Recommended calibration interval	1 year (dependent on conditions of use)

→ For approvals and certificates, see website

Safety-related characteristic values (Ex)

Safety-related characteristic values (Ex)	
Electrical parameters of the intrinsically safe voltage supply	
Max. input voltage U_i	DC 6.7 V
Max. input current for gas applications I_i	250 mA
Max. input power P_i	300 mW
Effective internal capacitance C_i	4.4 nF
Effective internal inductance L_i	Negligible
Max. output voltage U_o ¹⁾	DC 6.7 V
Max. output current I_o ¹⁾	400 mA
Temperature range	→ Applies for temperature classes T1 ... T4 and max. surface temperature T135 for dust Ex atmosphere
Ambient temperature	-40 ... +80 °C [-40 ... +176 °F]
Medium temperature ²⁾	-40 ... +80 °C [-40 ... +176 °F] → For increased medium temperatures, see table "Further specifications on: Safety-related characteristic values (Ex)".

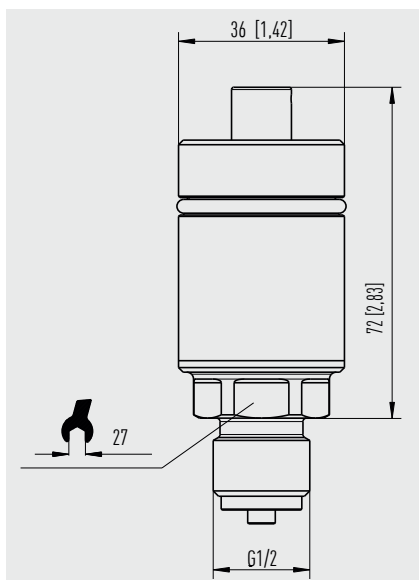
1) Short-term due to capacitor discharge, time constant $5 \times T < 25$ ms

2) Medium temperatures depend on the process connection, the seal and the characteristic values for explosion protection. Medium temperatures above 80 °C [176 °F] are only possible with flush process connections.

The model PGU-2x is intended for use with the intrinsically safe, battery-operated WIKA model NETRIS®3 radio unit with ignition protection type "ia".

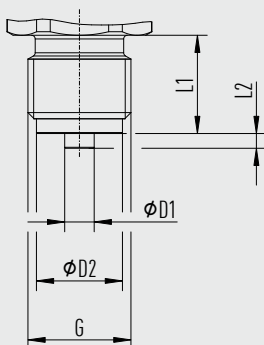
Further specifications on: Safety-related characteristic values (Ex)		
Temperature class	Max. medium temperature	Ambient temperature
Without cooling element		
T4	120 °C [248 °F]	$-40 \leq T_a \leq +30$ °C [$-40 \leq T_a \leq +86$ °F]
T4	105 °C [221 °F]	$-40 \leq T_a \leq +40$ °C [$-40 \leq T_a \leq +104$ °F]
T4	85 °C [185 °F]	$-40 \leq T_a \leq +80$ °C [$-40 \leq T_a \leq +176$ °F]
T5	85 °C [185 °F]	$-40 \leq T_a \leq +80$ °C [$-40 \leq T_a \leq +176$ °F]
T6	70 °C [158 °F]	$-40 \leq T_a \leq +70$ °C [$-40 \leq T_a \leq +158$ °F]
With cooling element		
T3	150 °C [302 °F]	$-40 \leq T_a \leq +40$ °C [$-40 \leq T_a \leq +104$ °F]
T4	120 °C [248 °F]	$-40 \leq T_a \leq +50$ °C [$-40 \leq T_a \leq +122$ °F]
T4	105 °C [221 °F]	$-40 \leq T_a \leq +50$ °C [$-40 \leq T_a \leq +122$ °F]
T4	85 °C [185 °F]	$-40 \leq T_a \leq +80$ °C [$-40 \leq T_a \leq +176$ °F]
T5	85 °C [185 °F]	$-40 \leq T_a \leq +80$ °C [$-40 \leq T_a \leq +176$ °F]
T6	70 °C [158 °F]	$-40 \leq T_a \leq +70$ °C [$-40 \leq T_a \leq +158$ °F]

Dimensions in mm [in]



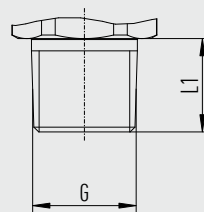
Process connections for model PEU-20

EN 837



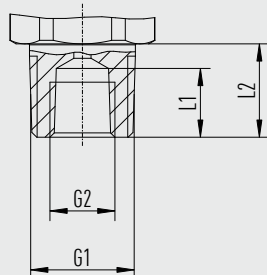
G	L1	L2	D1	D2
G 3/8 B	16 [0.63]	3 [0.12]	5.5 [0.22]	13 [0.512]
G 1/2 B	20 [0.79]	3 [0.12]	6 [0.24]	17.5 [0.689]
M20 x 1.5	20 [0.79]	3 [0.12]	6 [0.24]	17.5 [0.689]

ANSI/ASME B1.20.1



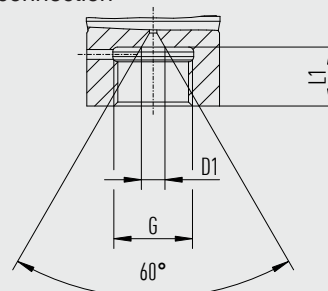
G	L1
1/4 NPT	13 [0.51]
1/2 NPT	19 [0.75]

ANSI/ASME B1.20.1



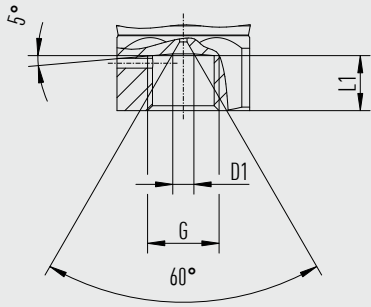
G1	G2	L1	L2
1/2 NPT, male	1/4 NPT, female	14 [0.55]	19 [0.75]

High-pressure connection



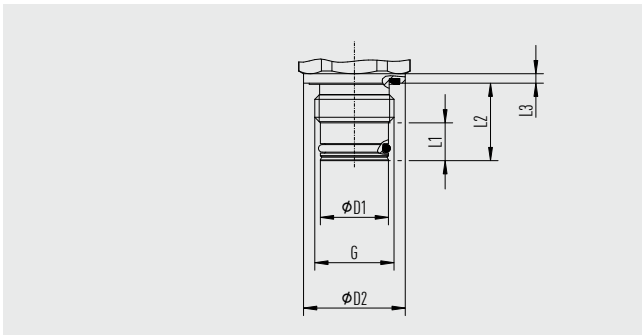
G	L1	D1
M16 x 1.5 female	12 [0.47]	4.8 [0.19]
M20 x 1.5 female	15 [0.59]	4.8 [0.19]

High-pressure connection



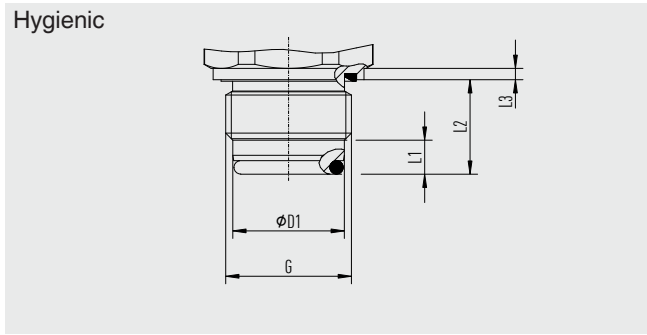
G	L1	D1
9/16-18 UNF female F 250-C	11.2 [0.44]	4.3 [0.17]

Process connections for model PEU-21

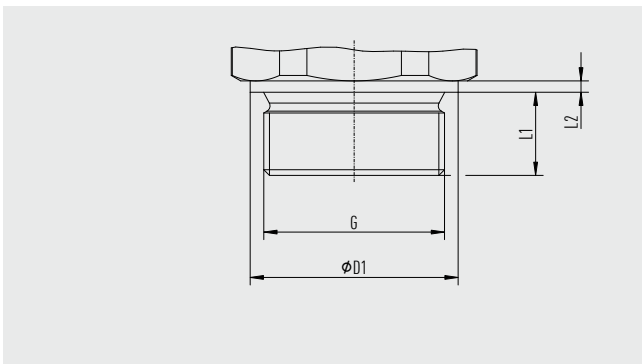


G	L1	L2	L3	D1	D2
G ½ B	10 [0.39]	20.5 [0.807]	3 [0.12]	18 [0.71]	26.9 [1.059]
G 1 B	9 [0.35]	25 [0.98]	2.5 [0.098]	30 [1.18]	40 [1.595]

Hygienic

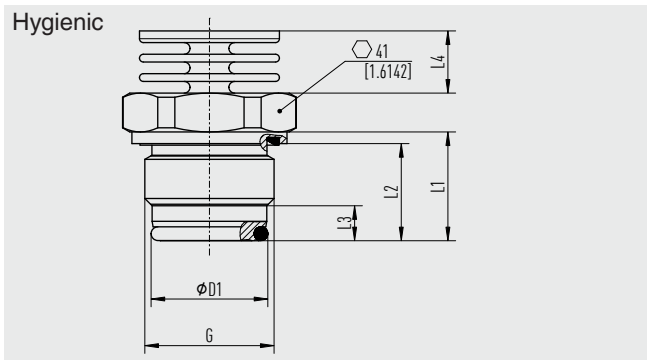


G	L1	L2	L3	D1
G 1	9 [0.35]	25 [0.98]	3 [0.12]	29.5 [1.16]



G	L1	L2	D1
G 1 ½ B	22 [0.87]	3 [0.12]	55 [2.17]

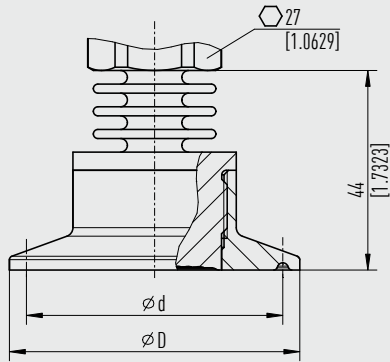
Hygienic



G	L1	L2	L3	L4	D1
G 1	28 [1.10]	25 [0.98]	9 [0.35]	15.5 [0.61]	29.5 [1.161]

Hygienic connections for food industry, pharmaceutical industry and sanitary applications

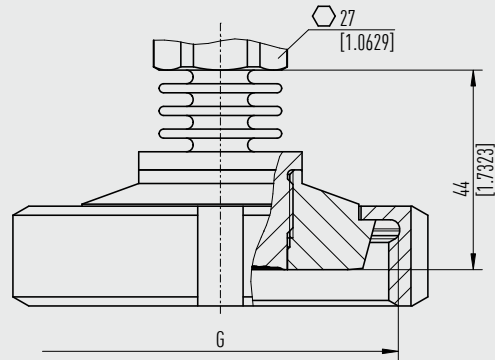
Clamp connection DIN 32676
TRI-CLAMP® 1)



14656663

DN	ØD	Ød
DN 1 ½	50.5 [1.99]	43.5 [1.71]
DN 2	64 [2.52]	56.6 [2.23]
DN 40	50.5 [1.99]	43.5 [1.71]
DN 50	64 [2.52]	56.6 [2.23]

Grooved union nut DIN 11851
with conical coupling, for pipes per DIN 11850

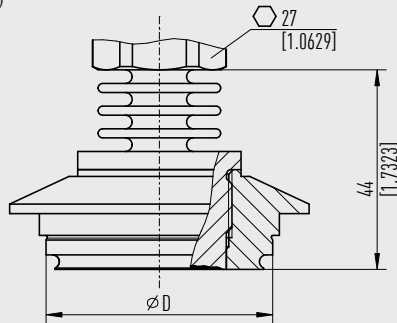


14656667

DN	G	Ød ₃
DN 25	Rd 52 x 1/6	44 [1.73]
DN 50	Rd 78 x 1/6	61 [2.40]

1) Process connections per ASME BPE

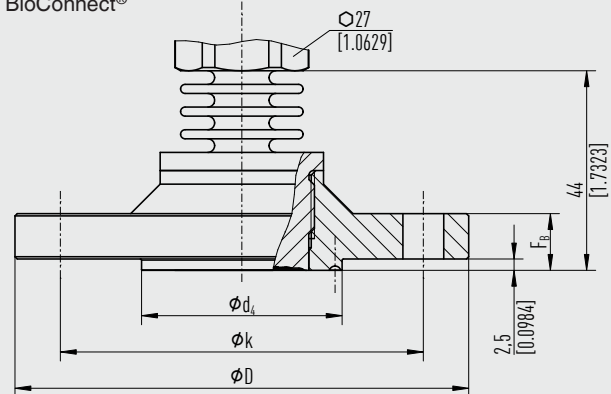
VARINLINE® 1)



14656671

Form	ØD
Form F	50 [1.97]
Form N	68 [2.68]



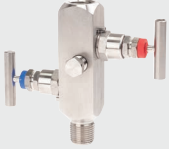
BioConnect®



14656675

DN	Ød ₄	ØD	Øk	F _B
DN 40	44.2 [1.74]	100 [3.94]	80 [3.15]	10 [0.39]

Accessories

	Model	Description	Order number
	NETRIS®3	Radio unit with LoRaWAN® for WIKA measuring instruments For applications in hazardous areas → See data sheet AC 40.03	-
	-	Welding socket for process connection G ½ flush	1192299
		Welding socket for process connection G 1 flush	1192264
		Welding socket for process connection G 1 ½ flush	2158982
		Welding socket for process connection G 1 hygienic flush	14070973
	IV20, IV21	Block-and-bleed valve → See data sheet AC 09.19	-

BioConnect® is a registered trademark of the company NEUMO.
VARINLINE® is a registered trademark of GEA Tüchenhagen GmbH.

Ordering information

Model / Ex zone / Unit / Pressure type / Measuring range / Process connection / Seal / Wetted parts / Accuracy / Certificates

© 04/2023 WIKA Alexander Wiegand SE & Co. KG, all rights reserved.
The specifications given in this document represent the state of engineering at the time of publishing.
We reserve the right to make modifications to the specifications and materials.
In case of a different interpretation of the translated and the English data sheet, the English wording shall prevail.

