



ROTAREX
VALVES - REGULATORS - SYSTEMS

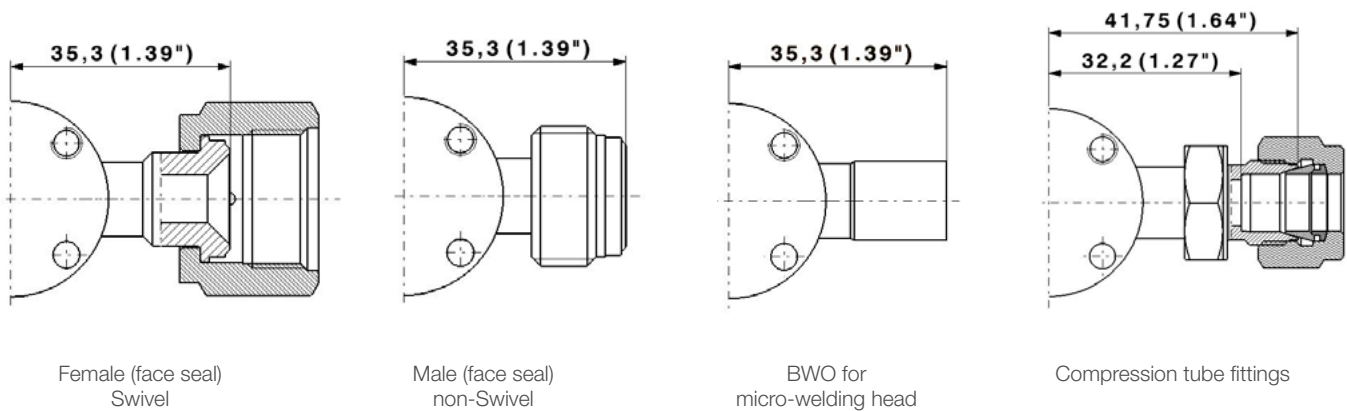


DIAPHRAGM VALVE

- 100% Helium Leak Test performed
- Assembling, testing & Packaging in clean-room: Class ISO 4
- Reverse seat design for high life cycle
- Individual serial number for full traceability
- Electropolished surface roughness per SEMI F19 UHP Grade
- Fluid specific seat material as standard options
- Low internal volume
- 316L VAR® stainless steel double melt per SEMI F20 option available
- Additional Multi-port options
- 270° multiturn handwheel with open/close indicator

**808
RX08
RX08**

RX08 | HIGH PERFORMANCE UHP LINE VALVES



SPECIFICATIONS

Max. inlet pressure

See table next page

Pneumatic actuator opening pressure

5 to 7 bar (73 to 102 psig)*

Certified max. Helium outboard leak rate

$\leq 1 \times 10^{-9}$ mbar.l/s

Temperature range

See table next page

Nominal seat diameter

8 mm (0.31")

Certified max. Helium across the seat leak rate (at max. pressure)

$\leq 1 \times 10^{-9}$ mbar.l/s

Wetted volume

$< 1.6 \text{ cm}^3$

Flow capacity (Cv)

0.5

Certified max. Helium inboard leak rate (at max. pressure)

$\leq 1 \times 10^{-9}$ mbar.l/s

Burst pressure

$> 700 \text{ bar}$ (10152 psig)

CONSTRUCTION MATERIAL

	Parts	Material
Wetted parts	Body	SS 316L, VAR
	Seat	PCTFE, PVDF, VESPEL®
	Diaphragm	Phynox®
Non-wetted parts	Backup diaphragm	Phynox®
	Handwheel	Aluminium
	Actuator Body	SS 316L or Aluminium
	Others	Stainless Steel and Alloys

SURFACE FINISH

S	Ra 0.4 μm (15 μin)
V	Ra 0.25 μm EP (10 μin)

SCAN ME FOR FLOW CURVES & PRODUCT CONFIGURATOR



VALVE VERSION / MAX. WORKING PRESSURE

Valve	Max. working pressure
RX08 (LM) Multiturn handwheel ^{1 2}	20 bar
RX08 (MH) Multiturn handwheel ^{1 2}	240 bar
RX08 (LQ) Quarter turn handwheel ¹	20 bar
RX08 (HQ) Quarter turn handwheel ¹	240 bar
RX08 (BP*) Pneumatically actuated	10 bar
RX08 (HP*) Pneumatically actuated ³	240 bar

¹ FT (Panel Mounting) option available

² MSF LOTO option available

³ Position indication switch available

PNEUMATIC ACTUATION

Parts

Actuator Body	Aluminium / Stainless Steel
Piston	Brass / Aluminium / Stainless Steel
O-ring	NBR
All others	Stainless Steel

MANUAL ACTUATION

Parts for all valve grades

Upper spindle	Brass
Handle	Aluminium
All others	Stainless Steel

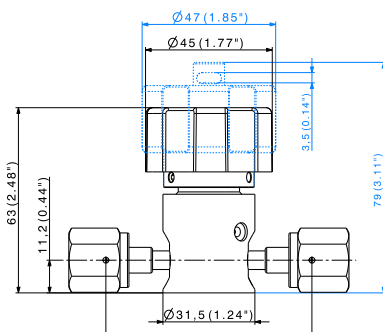
TEMPERATURE RANGE

Seat (Actuation type)

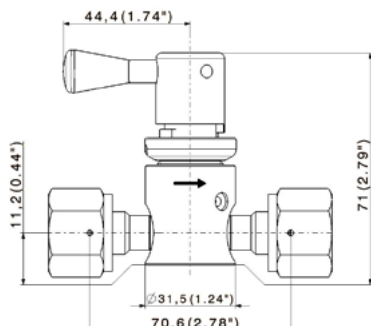
Seat (Actuation type)	Temperature Range
PCTFE / PVDF (manual & pneumatic*)	-40°C to +65°C (-40°F to +149°F)
Vespe® (manual & pneumatic*)	-40°C to +150°C (-40°F to +302°F)

*-20°C pneumatic versions

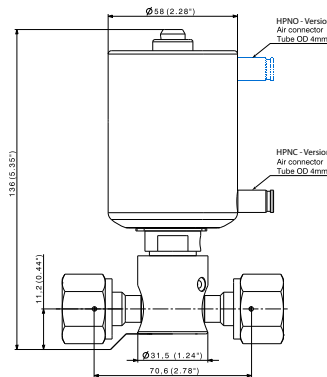
RX08 - MULTI-TURN VALVE (HM, LM, MSF)



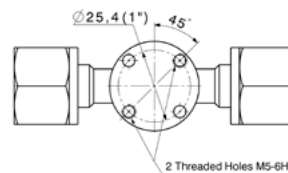
RX08 - QUARTER TURN VALVE (LQ, HQ)



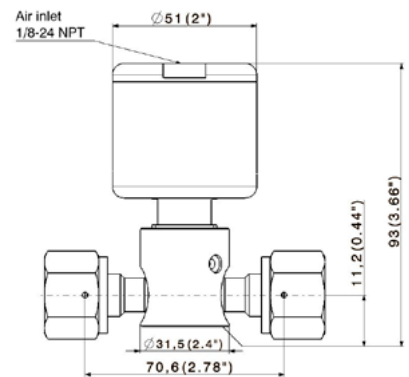
RX08 - PNEUMATIC VALVE HIGH PRESSURE (HPNC, HPNO)



RX08 - BOTTOM VIEW



RX08 - PNEUMATIC VALVE (BPNC, BPNO)



PRODUCT CONFIGURATOR

	Surface Finish		Max. Delivery Pressure		Porting Configuration ¹		Body Material		Seat Material		End Connection		Options	
RX08	S		BP		2W1		-		K		A/B: B3/8			
	Ra 0.4 µm (15 µin)	S	Multi-Turn Handwheel (20bar)	LM	2W1	2W1	SS 316L	-	PCTFE (Kel-F®)	K	Metal face seal 3/8" - Female	V 3/8 F	Panel Mounting	FT
	Ra 0.25 µm EP (10 µin)	V	Multi-Turn Handwheel (240bar)	HM	2W2	2W2	Hastelloy®**	H	PI (VespeI®)	V	Metal face seal 3/8" - Male non-Swiel	V 3/8 M	Electric limit switch***	CI
			Pneumatically actuated (10 bar)	BP*	3W4	3W4	VAR**	A	PVDF	P	BWO 1/2"	B 1/2	LOTO	MSF
			Pneumatically actuated (240 bar)	HP*	3W5	3W5					BWO 3/8" mm	B 3/8	Constant bleed	FPT
			Quarter-Turn Handwheel (20 bar)	LQ	3W6	3W6					BWO 10 mm	B 10		
			Quarter-Turn Handwheel (240 bar)	HQ	3W8	3W8					BWO 12 mm	B 12		
					3W9	3W9					Compression tube fittings	RDB 3/8		
			4W10	4W10					Compression tube fittings	RDB 1/2				
			4W11	4W11					Compression tube fittings	RDB 10				
									Compression tube fittings	RDB 12				

¹ Check configurations here

* Add NO for normally open or NC for normally closed

** On demand

*** On HP and LP actuators only

WORLDWIDE HEADQUARTERS



Find out our 24 locations here
<https://rotarex.com/locations>