



# Rotoball® 72 Series

## 2-way Low Profile Ball Valves

HOKE's bar stock 2-way ball valves include a 0.375" (9.5 mm) orifice. Rotoball® valves feature a floating ball design, encapsulated seats, and a trip-proof handle for safe, leak-tight service and long service life.



### Typical Applications

- Hydraulic test stands
- Handling slurries
- Refinery pilot plants
- Pneumatic systems
- Corrosives handling

### Technical Data

<b>BODY MATERIAL*</b>	316 stainless steel, brass, Monel®
<b>OPERATING PRESSURE RANGE @ 70° F (21° C)</b>	7222 Series Moderate vacuum** to 2000 psig (138 bar) 7223 Series Moderate vacuum** to 5000 psig (345 bar)
<b>OPERATING TEMPERATURE RANGE</b>	-20° F to +350° F (-29° C to +177° C)
<b>ORIFICE SIZE</b>	0.375 (9.5mm)
<b>CV FACTOR</b>	3.4
<b>END CONNECTIONS</b>	½" <b>GYROLOK</b> ® ¾" to ½" female NPT 12mm <b>GYROLOK</b> ®

\* Consult factory for other materials  
 \*\* Moderate vacuum is 10<sup>-3</sup> to 10<sup>-5</sup> torr.

### Features & Benefits

- Oval trip-proof handle helps prevent accidental actuation.
- Quarter turn handle provides a visual indication of on/off valve position, improving safety.
- Blowout-proof stem for added safety
- Dual encapsulated TFE seats and microfinished ball ensure a leak tight seal. This combination provides greater valve reliability.
- Floating ball provides pressure-assisted sealing and temperature wear compensation for longer valve cycle life and greater value.
- TFE seats with TFE or Viton® washers provide excellent corrosion resistance, providing the correct material for the application.
- A wide variety of HOKE **GYROLOK**® end fittings and pipe fittings provide the correct fitting option for the application.
- Special High Tolerance NPT Thread

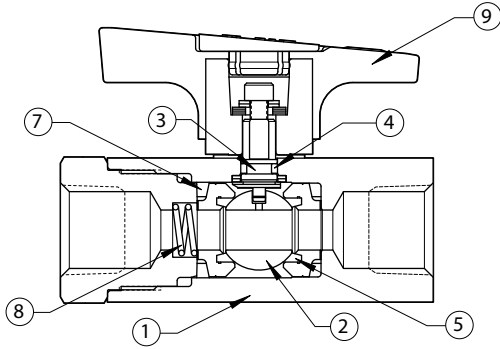
ball valves

### HOKE Inc.

PO Box 4866 • Spartanburg, SC 29305-4866  
 Phone (864) 574-7966 Fax (864) 587-5608  
 www.hoke.com • Sales-hoke@circor.com

# Rotoball® 72 Series

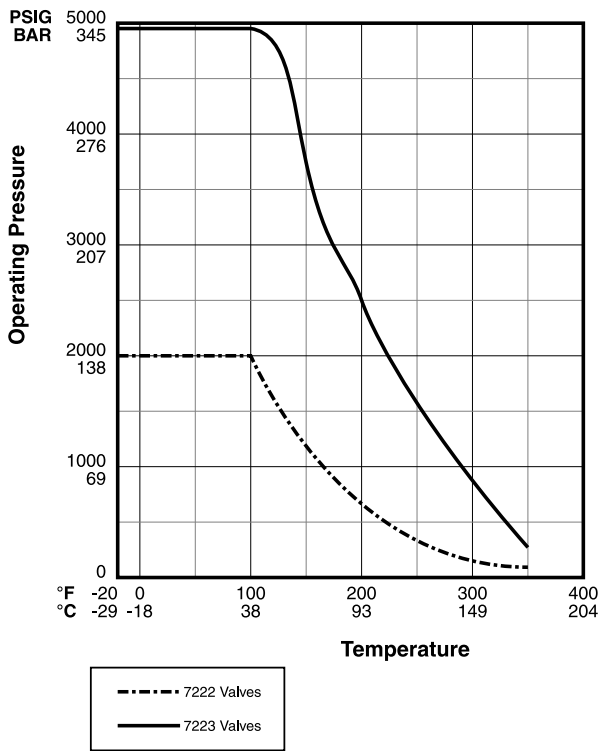
## Materials of Construction



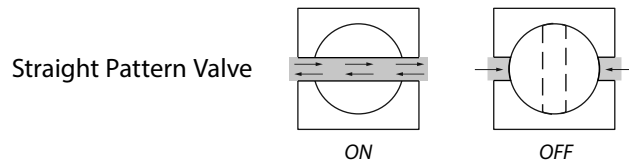
DESCRIPTION	BRASS	316 STAINLESS STEEL	MONEL®
1 Body	Brass	316 stainless steel	Monel®
2 Ball	316 stainless steel	316 stainless steel	Monel®
3 Stem	316 stainless steel	316 stainless steel	Monel®
4 Stem packing†	Viton®	Viton®	Viton®
5 Seats	TFE	TFE	TFE
6 Seat retainers	316 stainless steel	316 stainless steel	Monel®
7 Seat washers†			
7222 Series	TFE	TFE	TFE
7223 Series*	—	Viton®	—
8 Spring	316 stainless steel	316 stainless steel	Monel®
9 Handle	Nylon	Nylon	Nylon

† Other elastomers are available upon request. Contact your local distributor  
 \* 7223 only available in 316 stainless steel body

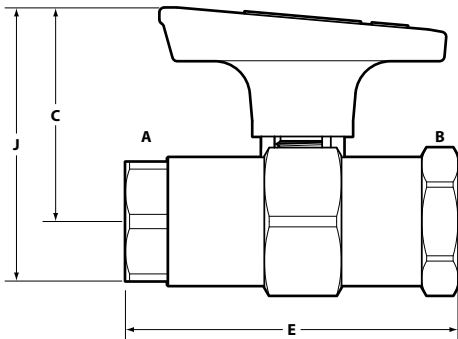
## Pressure vs. Temperature Curve



## Flow Diagrams 2-way valve



## Dimensions



INLET A & OUTLET B	C	E	J
3/8" female NPT	inch 1 1/8	3 1/2	2 1/8
	mm 48	89	65
1/2" female NPT	inch 1 7/8	3 1/2	2 1/8
	mm 48	89	65
1/2" GYROLOK®	inch 1 7/8	4 7/8	2 1/8
	mm 48	124	65
12mm GYROLOK®	inch 1 1/8	4 7/8	2 1/8
	mm 48	124	65

Dimensions for reference only, subject to change.

# Rotoball® 72 Series

## How to Order Standard Valves

**Rotoball® 7222 Series** Pressure to 2000 psig (138 bar), TFE Seats—TFE Washers

END CONNECTIONS INLET & OUTLET	ORDER BY PART NUMBER			ORIFICE	Cv
	BRASS	316 ST. STEEL	MONEL®		
3/8" female NPT	—	7222F6Y	—	0.375	3.4
1/2" female NPT	7222F8B	7222F8Y	7222F8M	0.375	3.4
1/2" <b>GYROLOK®</b>	7222G8B	7222G8Y	7222G8M	0.375	3.4
12mm <b>GYROLOK®</b>	—	7222G12YMM	—	0.375	3.4



7223F8Y

**Rotoball® 7223 Series** Pressure to 5000 psig (345 bar), TFE Seats—Viton® Washers

END CONNECTIONS INLET & OUTLET	ORDER BY PART NUMBER		ORIFICE	Cv
	316 STAINLESS STEEL			
3/8" female NPT	7223F6Y		0.375	3.4
1/2" female NPT	7223F8Y		0.375	3.4
1/2" <b>GYROLOK®</b>	7223G8Y		0.375	3.4
12mm <b>GYROLOK®</b>	7223G12YMM		0.375	3.4

## Ordering Options

### Metal Lever Handle

A metal lever handle is available for Rotoball® 7222 and 7223 Series valves. To order, specify 90043-1 with plug button 5982.



7223F8Y with Metal Lever Handle

### Handle Locking Kit

Safety lockout kits are available for applications which must conform to Code of Federal Regulations 29CFR Part 1910, OSHA Safety and Health Act, and other international regulations. Valves can be locked in either the opened or closed position with the stainless steel upper and lower locking plates. Lock with readily available padlocks or commercially available multiple lockout devices. Locking kits include the locking plates and assembly instructions. To order a safety lockout kit for Rotoball® 72 Series valves, specify kit 7200K7.



Ball Valve with Handle Lock

### Panel Mounting

To order panel mounting, specify kit 7200K1.

### Spare Parts

Spare parts and repair kits are available for all ball valves. Please contact your distributor for specific information.

### Cleaning and Testing

When ordering, please specify if oxygen cleaning or helium leak testing is required.

### Additional Sizes

Additional sizes and options are available on special request. Please consult your local HOKE distributor.

#### FOR YOUR SAFETY

IT IS SOLELY THE RESPONSIBILITY OF THE SYSTEM DESIGNER AND USER TO SELECT PRODUCTS SUITABLE FOR THEIR SPECIFIC APPLICATION REQUIREMENTS AND TO ENSURE PROPER INSTALLATION, OPERATION AND MAINTENANCE OF THESE PRODUCTS. MATERIAL COMPATIBILITY, PRODUCT RATINGS AND APPLICATION DETAILS SHOULD BE CONSIDERED IN THE SELECTION. IMPROPER SELECTION OR USE OF PRODUCTS DESCRIBED HEREIN CAN CAUSE PERSONAL INJURY OR PROPERTY DAMAGE.