

Electric Actuators

Index

Safety Warning	Inside Front Cover
90° Unidirectional Actuators for 2 and 4-Way Ball Valves	4
180° Unidirectional Actuators for 3-Way Ball Valves	7
90° Unidirectional Reversible Actuators for 3-Way Ball Valves	10
4-Position Unidirectional Actuators for 5-Way Ball Valves	12
Metering Valve Actuators	15
Disclaimers	Inside Back Cover



CRANE Instrumentation & Sampling, HOKE®
PO Box 4866 • Spartanburg, SC 29305-4866
(864) 574-7966 • www.hoke.com

actuators

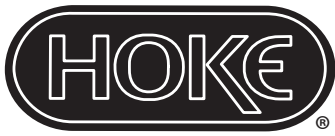
For Your Safety

It is solely the responsibility of the system designer and user to select products suitable for their specific application requirements and to ensure proper installation, operation, and maintenance of these products. When selecting products, the total system design must be considered to ensure safe, trouble-free performance. Material compatibility, product ratings and application details should be considered in the selection. Improper selection or use of products described herein can cause personal injury or property damage.

Contact your authorized HOKE® sales and service representative for information about additional sizes and special alloys.

SAFETY WARNING:

HOKE® products are designed for installation only by professional suitably qualified licensed system installers experienced in the applications and environments for which the products are intended. These products are intended for integration into a system. Where these products are to be used with flammable or hazardous media, precautions must be taken by the system designer and installer to ensure the safety of persons and property. Flammable or hazardous media pose risks associated with fire or explosion, as well as burning, poisoning or other injury or death to persons and/or destruction of property. The system designer and installer must provide for the capture and control of such substances from any vents in the product(s). The system installer must not permit any leakage or uncontrolled escape of hazardous or flammable substances. The system operator must be trained to follow appropriate precautions and must inspect and maintain the system and its components including the product(s) and at regular intervals in accordance with timescales recommended by the supplier to prevent unacceptable wear or failure.



Electric Actuators

HOKE® actuated valves are available for use in a wide variety of applications including on-off switching, selecting, sampling, and metering of fluids. Specific types of actuated valves include 90° Shut-Off Ball Valves, 3-way, 4-way and 5-way Ball Valves and Metering Valves. Electrically actuated valves are supplied in two standard voltages, 115 VAC and 24 VDC, designed to be weather-proof standards. The Application / Buyers Guide will help you select the actuator-valve combination best suited to your requirements. Depend on HOKE® to supply the actuated valve for your automated instrument and process systems, or for applications where manual control is difficult or not possible.



actuators

Application & Buyers Guide



90° UNIDIRECTIONAL ELECTRICALLY OPERATED FOR BALL VALVES

Low cost electric actuator is designed for unidirectional 90° control of HOKE® Flomite®, Multimite®, and Rotoball® valves. Select from weather-proof models for 115 VAC or 24 VDC service. Position Indicator switches are standard.



180° UNIDIRECTIONAL ELECTRICALLY OPERATED FOR 3-way BALL VALVES.

These 115 VAC (weather-proof) and 24 VDC (weather-proof) actuators provide 180° unidirectional control of HOKE® Selectomite® 3-way ball valves. Position indicator switches are standard.



90° REVERSIBLE ELECTRICALLY OPERATED FOR 3-way BALL VALVES

This reversible 115 VAC weather-proof actuator is recommended for 90° incremental positioning of HOKE® Selectomite® 3-way ball valves. Position indicator switches are standard.



4-POSITION UNIDIRECTIONAL ELECTRICALLY OPERATED FOR 5-WAY BALL VALVES

Designed for the unidirectional 90°, 180°, or 270° positioning of HOKE® Multimite® 5-way ball valves. Select from 115 VAC (weather-proof) or 24 VDC (weather-proof) models. Position indicator switches are standard.



METERING VALVE ACTUATORS – ELECTRICALLY OPERATED

These 115 VAC weather-proof actuators provide positioning or shut-off of HOKE® 2300 series, Milli-Mite® 1300 series and Micromite® 1600 series metering valves. Models come with limit switches or feedback potentiometers.

Application & Buyers Guide

Voltage **115 VAC/60 Cycle** **24 VDC**
 Rated Current (Full Load) 1.6 Amps0.63 Amps
 Power Consumption (Full Load) 57 Watts 15 Watts
 Torque Output 40 In. lbs.40 In. lbs.
 Output Speed6 RPM6 RPM
 Cycle Time.2.5 Seconds Max for 90° Operation

Page 4

Power **115 VAC/60 Cycle** **24 VDC**
 Rated Current (Full Load) 1.6 Amps0.63 Amps
 Power Consumption (Full Load) 57 Watts 15 Watts
 Torque Output 40 In. lbs.40 In. lbs.
 Output Speed6 RPM6 RPM
 Cycle Time.5 Seconds Max for 180° Operation

Page 7

Voltage 115 VAC/60 Cycle
 Rated Current (Full Load) 0.4 Amps
 Power Consumption (Full Load) 47 Watts A
 Torque Output 40 in lbs.
 Output Speed6 RPM
 Cycle Time. 1.8 seconds Max for 90° Operation

Page 10

Power **115 VAC / 60 Cycle** **24 VDC**
 Rated Current (Pull Load) 1.6 Amps0.63 Amp
 Power Consumption (Full Load) 57 Watts 15 Watts
 Torque Output 40 In. lbs.40 In. lbs.
 Output Speed6 RPM6 RPM
 Cycle Time. 2.5 seconds max for 90° Operation

Page 12

Voltage 115 VAC/60 Cycle
 Rated Currant (Full Load) 19 Watts max.
 Power Consumption (Full Load) 2 Amps max.
 Torque Output 20 In. Lbs.
 Output Speed 10 RPM

Page 15



90° Actuators

Unidirectional Electrically Operated for 2- and 4-way Ball Valves
115 Volt AC & 24 Volt DC



Typical Applications

- Unidirectional 90° on-off control of HOKE® Flomite® and Rotoball® 2-way valves, and unidirectional 90° positioning of Multimite® 4-way valves.
- Automated instrument and process systems.
- Test areas where remote control is mandatory.
- For inaccessible areas where manual operation is not possible.
- Anywhere separate low voltage power supply is required.

Technical Data

	115 VAC/60 CYCLE*	24 VDC
RATED CURRENT (FULL LOAD)	1.6 Amps	0.63 Amps
POWER CONSUMPTION (FULL LOAD)	57 Watts	15 Watts
TORQUE OUTPUT	40 in. lbs.	
OUTPUT SPEED	6 RPM	
CYCLE TIME	2.5 Seconds Max for 90° Operation	
WEIGHT	3 lbs. Weather-proof	2 lbs. Weather-proof

* 220 VAC / 50 Hz also available – consult factory

Features & Benefits

- Position indicator switches are standard in all models.
- Low operating cost – power on during positioning only.
- Weather-proof enclosure.
- Long life 24 volt permanent magnet gear motors on direct current models.
- Thermal overload protection prevents motor burnout on AC models.
- Manual override allows manual valve operation in the event of a power failure.
- ½" weather-proof conduit connection is standard; grommet is furnished for field installation.
- Can be installed in any position.

actuators

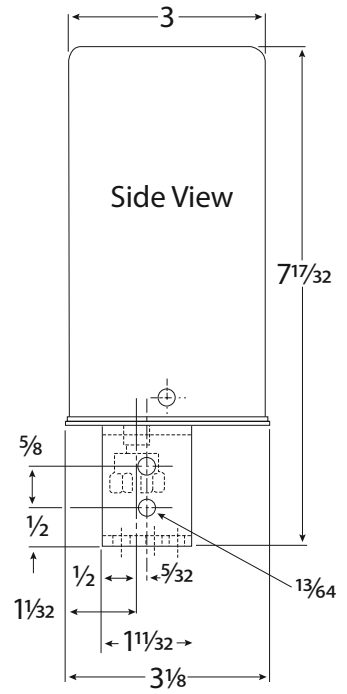
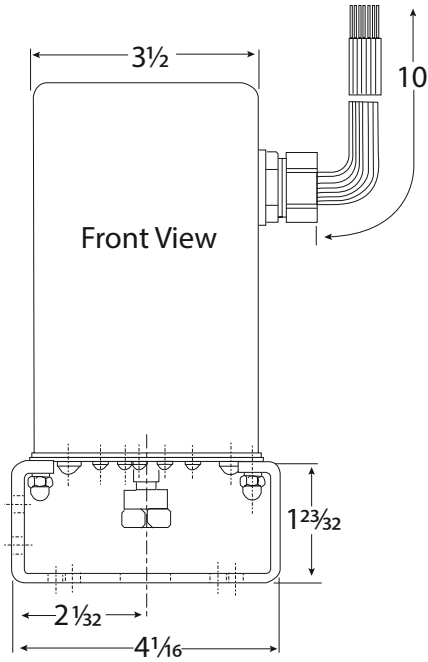


90° Actuators

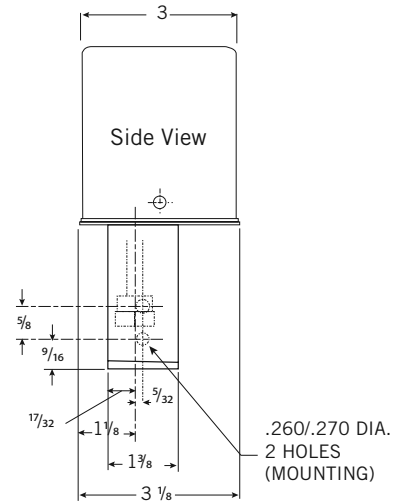
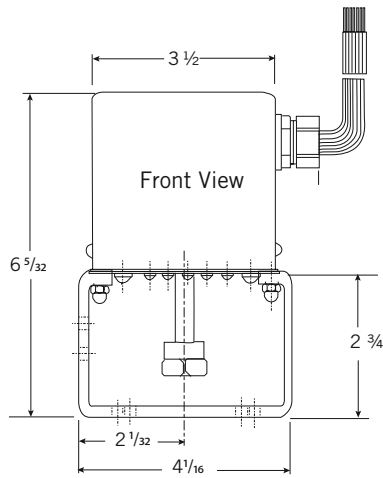
Outline Drawings

Dimensions in inches

0172L2
0172L2F
0172L2P



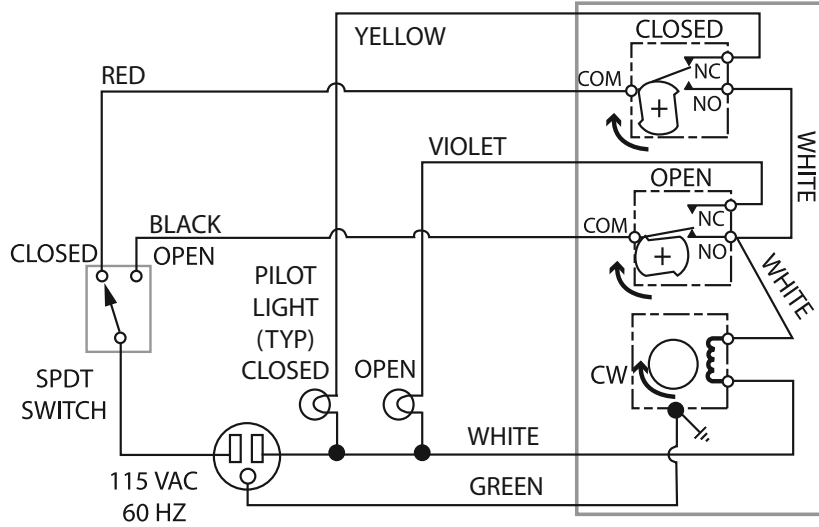
0112L2
0112L2F
0112L2T
0112L2P



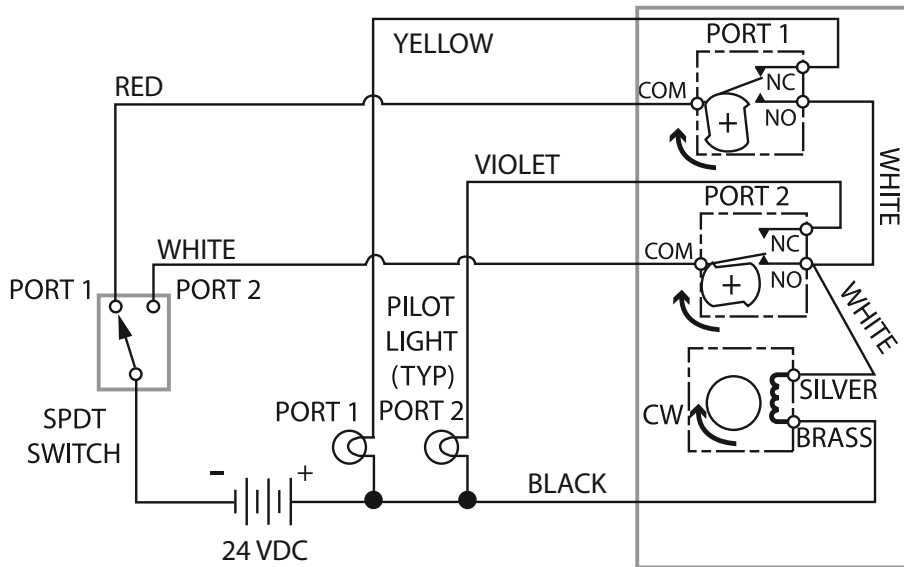
90° Actuators

Wiring Diagrams

0112L2



0172L2



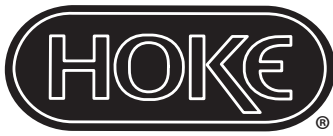
How to Order*

VOLTAGE	ACTUATOR DESCRIPTION	ACTUATOR ORDER NUMBER	FOR USE WITH VALVE SERIES	MOUNTING KIT NUMBER
115 VAC 60 CYCLE	WEATHER-PROOF	0112L2	Flomite® 7115 & 7122 ¹	0112K7100
	WEATHER-PROOF	0112L2	Rotoball® 7200 ¹	0112K7200
	WEATHER-PROOF	0112L2	Multimite® 7911 & 7921 ²	0112K7900
24 VDC	WEATHER-PROOF	0172L2	Flomite® 7115 & 7122 ¹	0112K7100
			Rotoball® 7200 ¹ Multimite® 7911 & 7921	0112K7200 0112K7900

* To order a valve-actuator combination, specify the valve model number from HOKE's General Purpose Ball Valve Catalog 79066 followed by the actuator number. Example: Valve **7115G4Y** with actuator **0112L2**. For field assembly, the valve number, actuator number, and mounting kit number must be specified. Factory assembly is highly recommended.

¹ 2-way

² 4-way



180° Actuators

Unidirectional Electrically Operated for 3-way Ball Valves
115 Volt AC & 24 Volt DC



Typical Applications

- Unidirectional 180° position for switching between ports of 3-way Selectomite® valves.
- Automated instrument and process systems.
- Test areas where remote control is mandatory.
- For inaccessible areas where manual operation is not possible.
- Anywhere separate low voltage power supply is required.

Technical Data

	115 VAC/60 CYCLE*	24 VDC
RATED CURRENT (FULL LOAD)	1.6 Amps	0.63 Amps
POWER CONSUMPTION (FULL LOAD)	57 Watts	15 Watts
TORQUE OUTPUT	40 in. lbs.	
OUTPUT SPEED	6 RPM	
CYCLE TIME	5 Seconds Max for 180° Operation	
WEIGHT	3 lbs. Weather-proof	2 lbs. Weather-proof

* 220 VAC / 50 Hz also available – consult factory

Features & Benefits

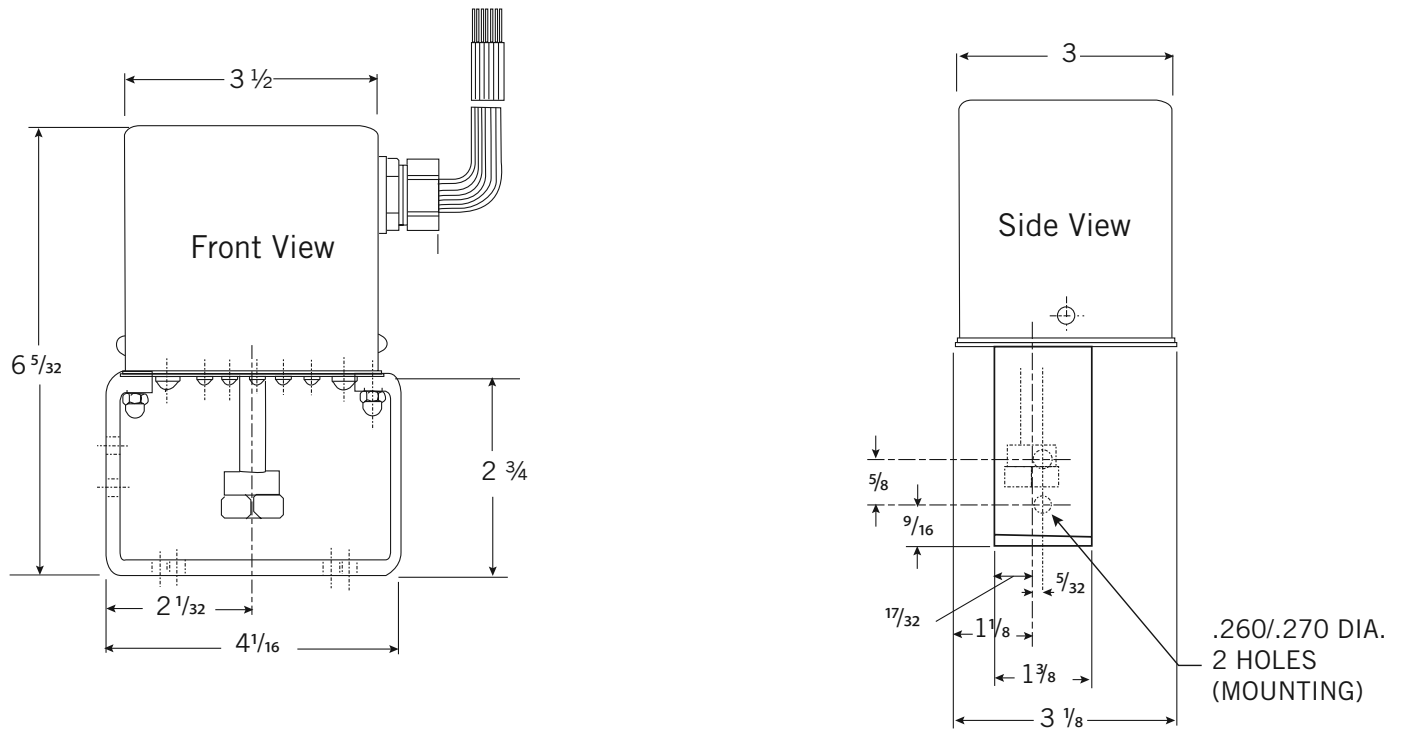
- Position indicator switches are standard in all models.
- Low operating cost – power on during positioning only.
- Weather-proof enclosure.
- Long life 24 volt permanent magnet gear motors on direct current models.
- Thermal overload protection prevents motor burnout on AC models.
- Manual override allows manual valve operation in the event of a power failure.
- ½" weather-proof conduit connection is standard; grommet is furnished for field installation.
- Can be mounted in any position.
- Special High Tolerance NPT Thread

actuators

180° Actuators

Outline Drawings

Dimensions in inches



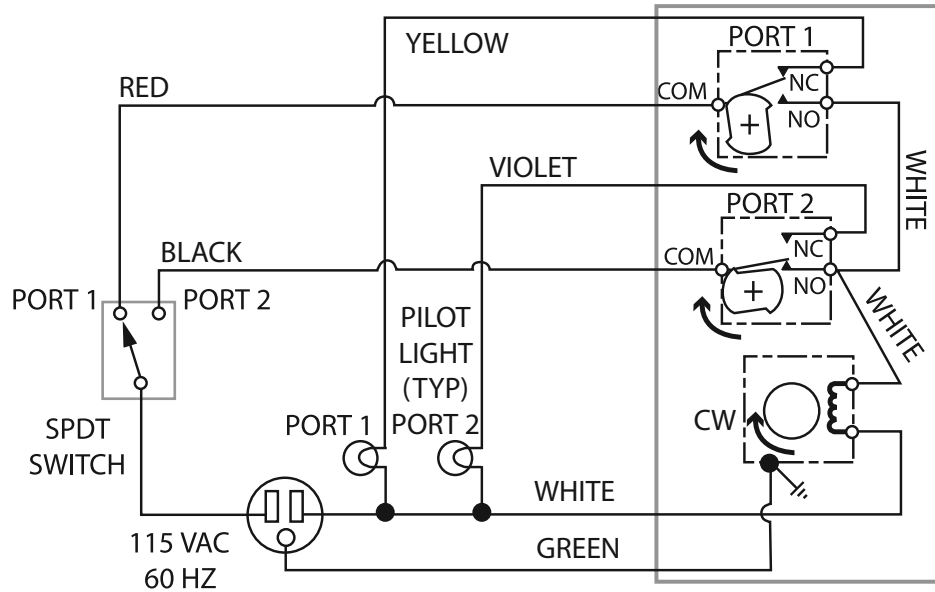
0112L2/0112L2F/0112L2T/0112L2P

180° Actuators

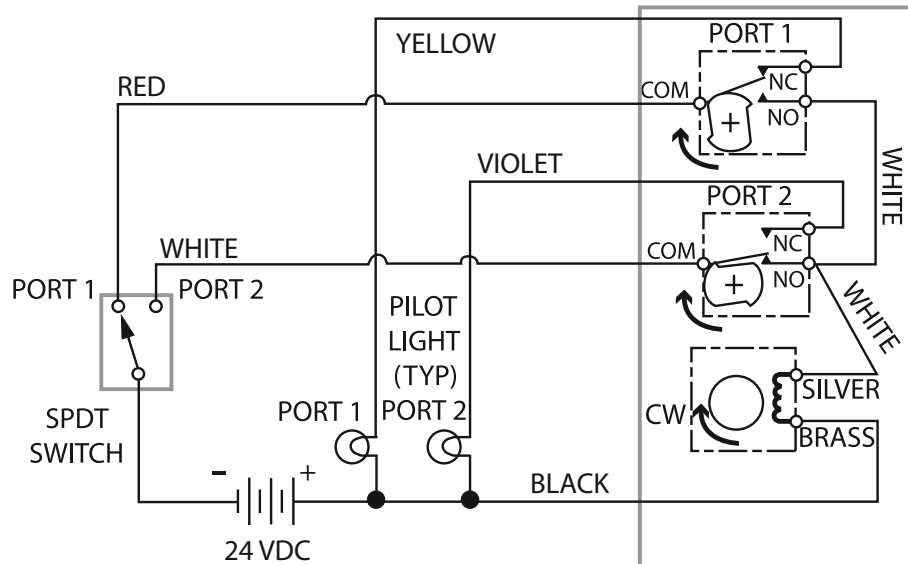
Wiring Diagrams

Dimensions in inches

0112L2F/0112L2T



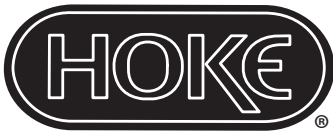
0172L2F



How to Order*

VOLTAGE	ACTUATOR DESCRIPTION	ACTUATOR ORDER NUMBER	FOR USE WITH VALVE SERIES	MOUNTING KIT NUMBER
115 VAC 60 CYCLE	WEATHER-PROOF	0112L2F	Selectomite® 7165, 7671, 7673	RS0112K7165
	WEATHER-PROOF	0112L2T	Selectomite® 7644	RS0112K7644
24 VDC	WEATHER-PROOF	0172L2F	Selectomite® 7165, 7671, 7673	RS0112K7165
			Selectomite® 7644	RS0112K7644

* To order a valve-actuator combination, specify the valve model number from HOKE®'s General Purpose Ball Valve Catalog 79066 followed by the actuator number. Example: Valve **7165G4Y** with actuator **0112L2F**. For field assembly, the valve number, actuator number, and mounting kit number must be specified. Factory assembly is highly recommended.



90° Actuators

Reversible Electrically Operated for 3-way Ball Valves
115 VAC



Typical Applications

- 90° positioning of HOKE® Selectomite® 71 & 76 Series 3-way ball valves. Select any port in desired sequence.
- Anywhere shutoff position is required.
- Automated instrument and process systems.
- Test areas where remote control is mandatory.
- For inaccessible areas where manual operation is not possible.

Technical Data

VOLTAGE	115 VAC/60 Cycle
RATED CURRENT (FULL LOAD)	0.4 Amps
POWER CONSUMPTION (FULL LOAD)	47 Watts
TORQUE OUTPUT	40 in. lbs.
OUTPUT SPEED	8.5 RPM
CYCLE TIME	1.8 Seconds Max for 90° Operation
WEIGHT	3 lbs.

Features & Benefits

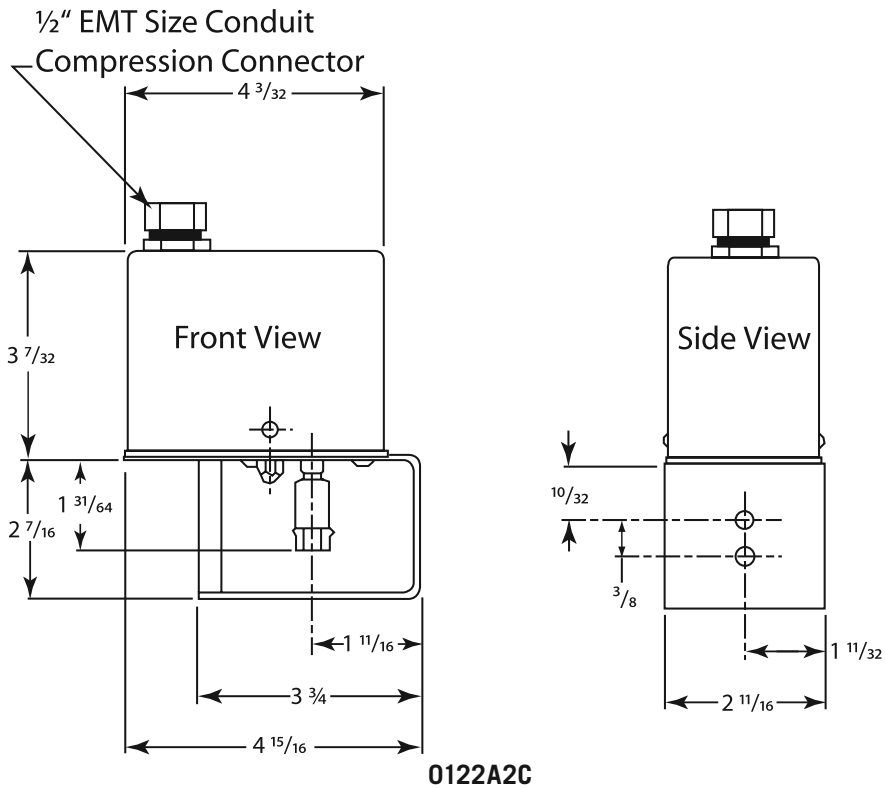
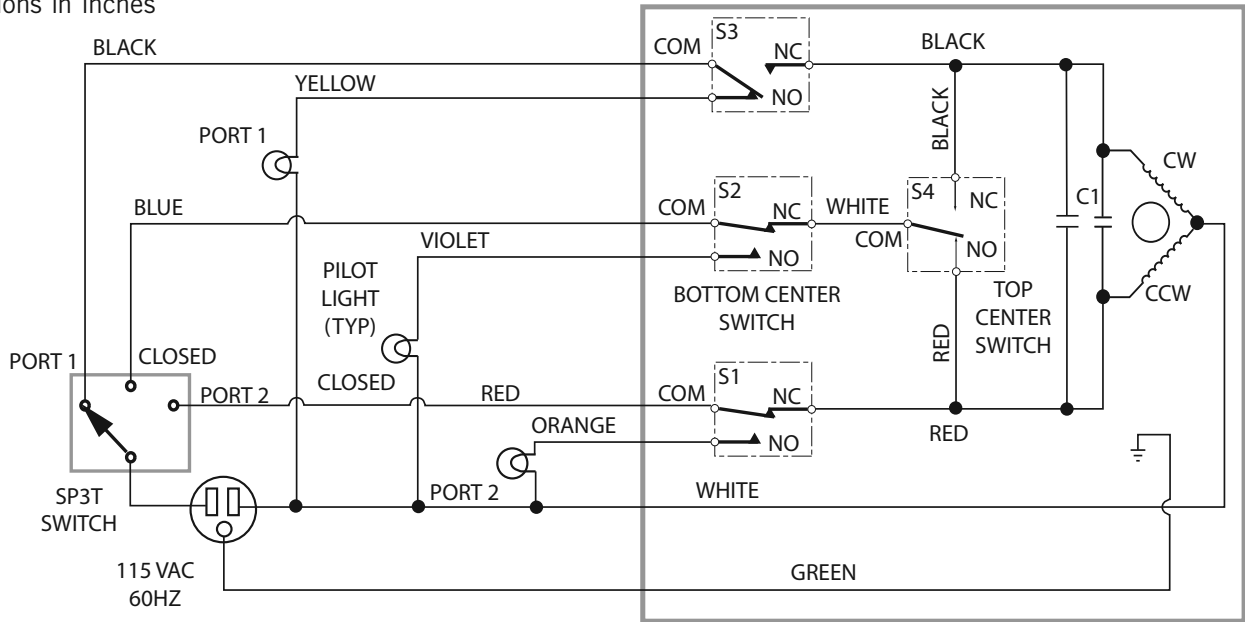
- Position indicator switches are standard in all models.
- Low operating cost – power on during positioning only.
- Reversible motor permits switching to desired port
- Thermal overload protection prevents motor burnout on AC models.
- Manual override allows manual valve operation in the event of a power failure.
- ½" weather-proof conduit connection is standard; grommet is furnished for field installation.
- Can be mounted in any position.
- Special High Tolerance NPT Thread

actuators

90° Actuators

Wiring Diagrams & Outline Drawings

Dimensions in inches



How to Order*

ACTUATOR ORDER NUMBER	FOR USE WITH VALVE SERIES*	MOUNTING KIT NUMBER
0122A2C	7165	0122K7165
	7671	
	7673	
	7644	0122K7644

* Refer to HOKE®'s General Purpose Ball Valve Catalog 79066 71 & 76 Series for full details



Actuators

4 Position Unidirectional Electrically Actuated for 5-Way Ball Valves
115 VAC and 24 VDC



Typical Applications

- Unidirectional 90°, 180°, 270° positioning of the HOKE® 5-way Multimate® 79 Series ball valves. Select any position in desired sequence.
- Automated instrument and process systems.
- Test areas where remote control is mandatory.
- For inaccessible areas where manual operation is not possible.
- Anywhere separate low voltage power supply is required.

Technical Data

	115 VAC/60 CYCLE	24 VDC
RATED CURRENT (FULL LOAD)	1.6 Amps	0.63 Amps
POWER CONSUMPTION (FULL LOAD)	57 Watts	15 Watts
TORQUE OUTPUT	40 in. lbs.	
OUTPUT SPEED	6 RPM	
CYCLE TIME	2.5 Seconds Max for 90° Operation	
WEIGHT	3 lbs. Weather-proof	2 lbs. Weather-proof

Features & Benefits

- Position indicator switches are standard in all models.
- Low operating cost – power on during positioning only.
- Weather-proof enclosure.
- Long lasting 24 volt permanent magnet gear motors on direct current models.
- Thermal overload protection prevents motor burnout on AC models.
- Manual override allows manual valve operation in the event of a power failure.
- ½" weather-proof conduit connection is standard; grommet is furnished for field installation.
- Can be mounted in any position.
- Special High Tolerance NPT Thread

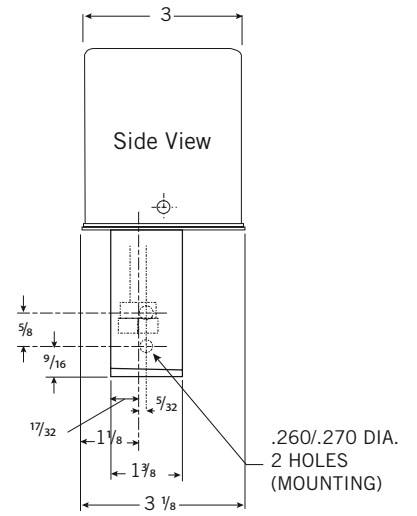
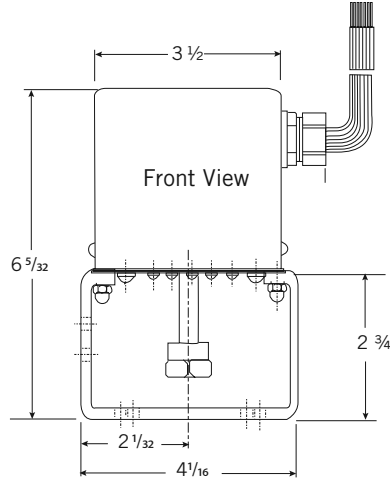
actuators

Actuators

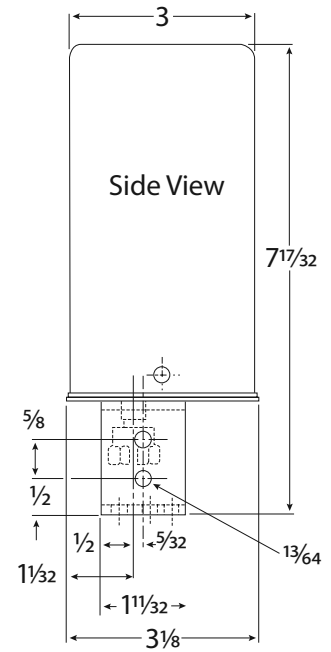
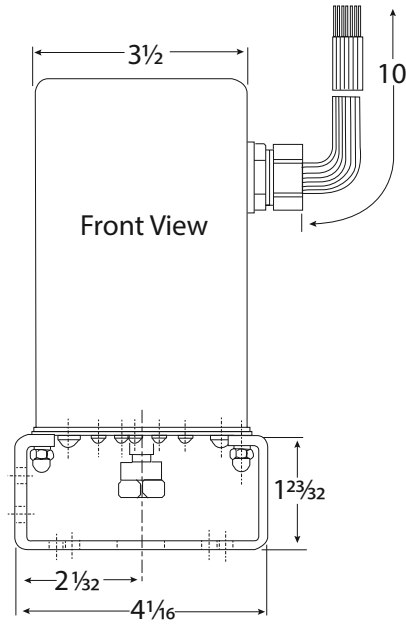
Outline Drawings

Dimensions in Inches

0112L2
0112L2F
0112L2T
0112L2P



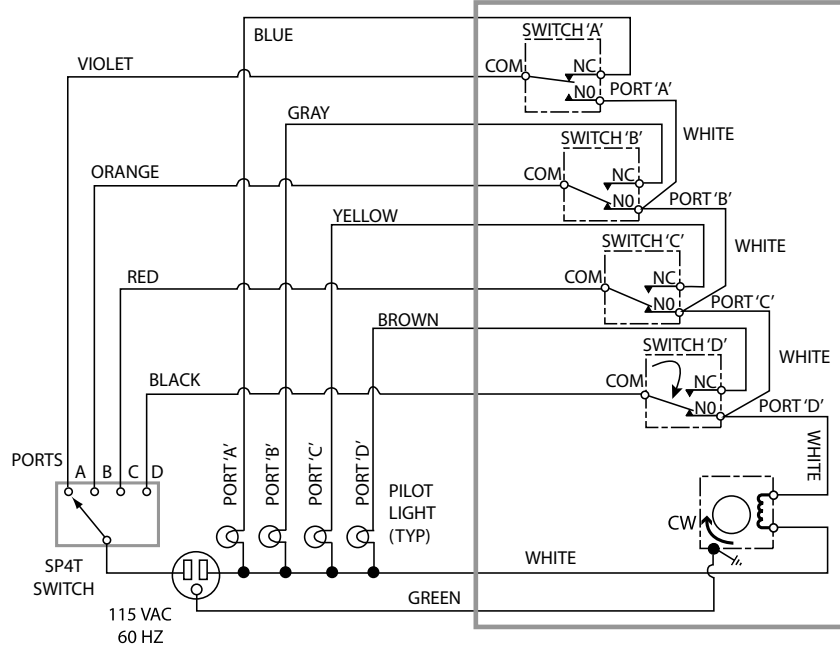
0172L2
0172L2F
0172L2P



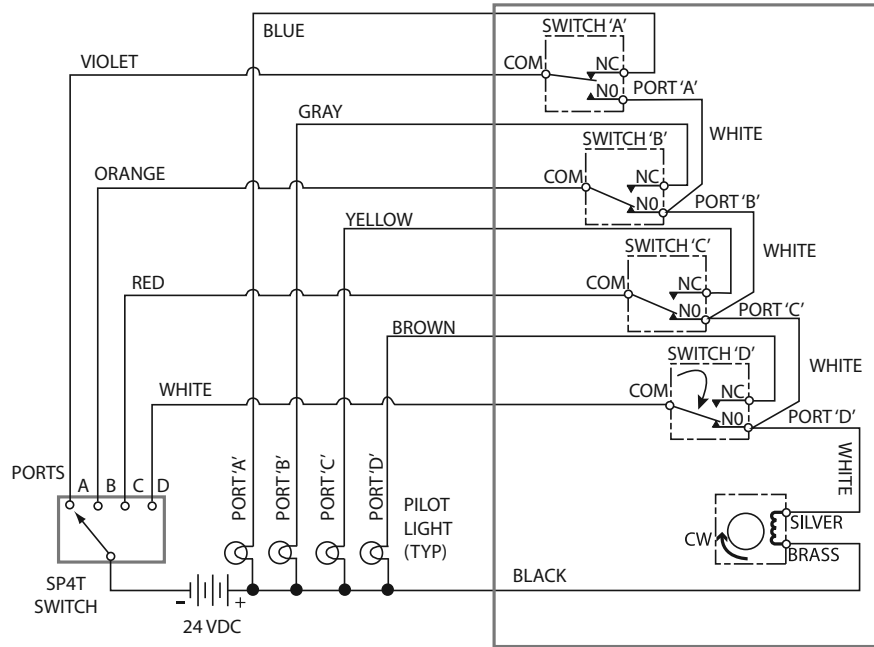
Actuators

Wiring Diagrams

0112L2P



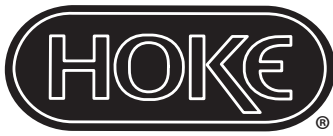
0172L2P



How to Order

VOLTAGE	ACTUATOR DESCRIPTION	ACTUATOR ORDER NUMBER	FOR USE WITH VALVE SERIES*	MOUNTING KIT NUMBER
115 VAC 60 Cycles	Weather-proof Unidirectional	0112L2P	Multimite® 5-Way 7931 & 7941	0112K7900
24 VDC	Unidirectional Weather-proof	0172L2P	Multimite® 5-Way 7931 & 7941	0112K7900

* Refer to HOKE®'s General Purpose Ball Valve Catalog 79066 Multimite® 79 Series for full details



Actuators

Electrically Operated for Metering Valves
115 VAC



Typical Applications

- Positioning and shut-off for HOKE® metering valves. Automated instrument and process systems.
- For inaccessible areas where manual operation is not practical or remote control is mandatory.
- Programmed sampling and process control.

Technical Data

VOLTAGE	115 VAC/60 Cycle
RATED CURRENT (FULL LOAD)	2 Amps max.
POWER CONSUMPTION (FULL LOAD)	19 Watts
TORQUE OUTPUT	20 in. lbs.
OUTPUT SPEED	10 RPM
WEIGHT	2.8 lbs.
FEEDBACK POTENTIOMETER	500 OHMS, 2 Watts, Precision 10 turn (geared 1:2 for 20 turn valves).
PILOT LIGHT SWITCHES	10 Amps 125-250 VAC

Features & Benefits

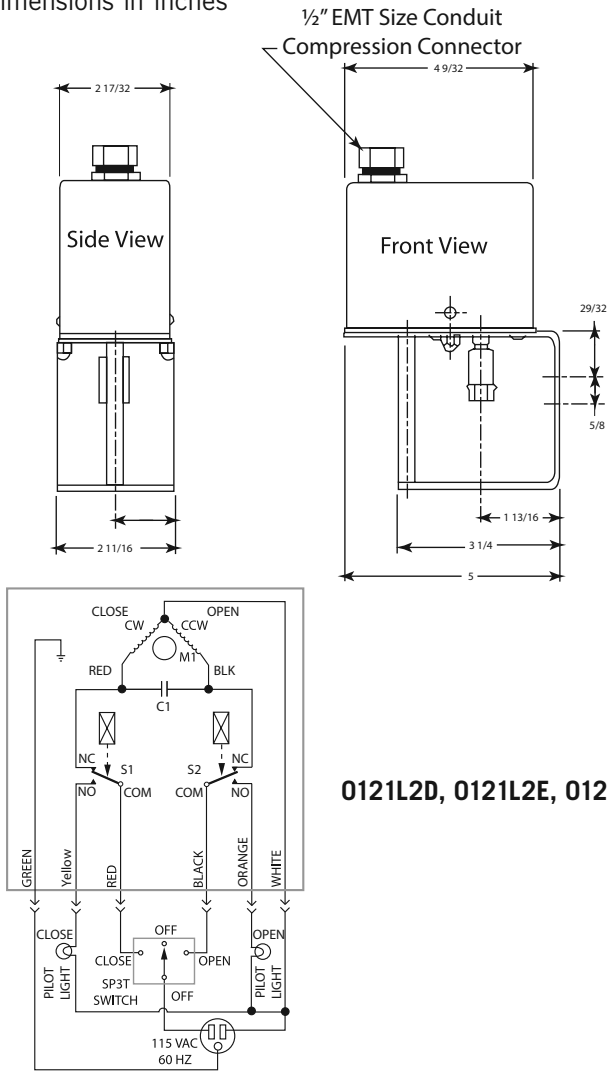
- Limit switch option controls valve travel between two set points and provides pilot light indication of position.
- Feedback potentiometer option provides means of obtaining valve position or system flow signal for automated close loop control systems.
- Continuous stall gear motor.
- Low power consumption – power required during positioning of valve only.
- ½" weather-proof conduit connection is standard; grommet is furnished for field installation
- Special High Tolerance NPT Thread

actuators

Actuators

Wiring Diagrams & Outline Drawings

Dimensions in inches

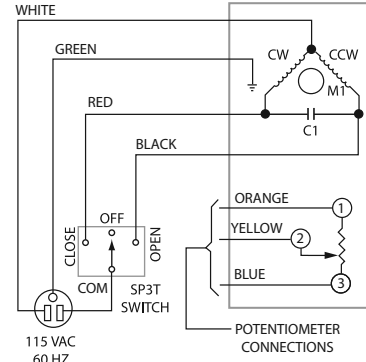


0121L2D, 0121L2E, 0121L2R

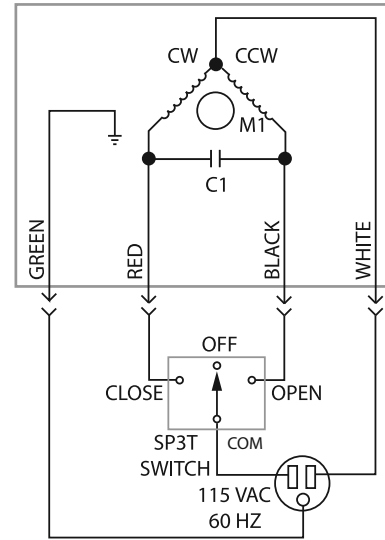
0121F2D

0121F2E

0121F2R



0121A2E

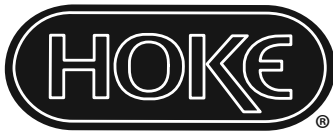


How to Order*

ACTUATOR DESCRIPTION	ACTUATOR ORDER NUMBER	FOR USE WITH VALVE SERIES	MOUNTING KIT NUMBER
115 VAC WEATHER-PROOF	0121A2E	2300**	0121K2300
	0121A2D	Milli-Mite® 1315, 1325, 1335, 1345	0121K1300
	0121A2R	Micromite® 1654, 1656, 1666	0121K1600
115 VAC WEATHER-PROOF WITH LIMIT SWITCHES	0121L2E	2300**	0121K2300
	0121L2D	Milli-Mite® 1315, 1325, 1335, 1345	0121K1300
	0121L2R	Micromite® 1654, 1656, 1666	0121K1600
115 VAC WEATHER-PROOF WITH FEEDBACK POTENTIOMETER	0121F2E	2300**	0121K2300
	0121F2D	Milli-mite® 1315, 1325, 1335, 1345	0121K1300
	0121F2R	Micromite® 1654, 1656, 1666	0121K1600

* To order a valve-actuator combination, specify the valve model number from HOKE®'s Metering Valve Catalog 79013 followed by the actuator number. Example: Valve **2315G4Y** with actuator **0121F2E**. For field assembly, the valve number, actuator number, and mounting kit number must be specified. Factory assembly is highly recommended.

** Actuators may not close 2300 Series valves leak tight above 1500 psig (103 barg).



The Small Bore Instrumentation Specialists



We specialize in small bore instrumentation products up to 2" that deliver benchmark performance quality & safety; provide the broadest array of superior alloy offerings in the market; decades of proven success in a wide range of industries; a roster of "who's who" customers & projects globally; original "Best Solution" engineering & designs; and are focused on continuous improvement in all aspects of our business.

Proudly Distributed By:



CRANE INSTRUMENTATION &
SAMPLING Inc.
405 Centura Ct.
Spartanburg, SC 29305, USA
Tel: 1-864-574-7966
PO Box 4866, Spartanburg, SC
29305-4866 USA

Crane Co., and its subsidiaries cannot accept responsibility for possible errors in catalogues, brochures, other printed materials, and website information. Crane Co. reserves the right to alter its products without notice, including products already on order provided that such alteration can be made without changes being necessary in specifications already agreed. All trademarks in this material are the property of the Crane Co. or its subsidiaries. The Crane and Crane brands logotype (CENTER LINE®, COMPAC-NOZ®, CRANE®, DEPA® & ELRO®, DOPAK®, DUO-CHEK®, FLOWSEAL®, GYROLOK®, GO REGULATOR®, HOKE®, JENKINS®, KROMBACH®, NOZ-CHEK®, PACIFIC VALVES®, RESISTOFLEX®, REVO®, SAUNDERS®, STOCKHAM®, TEXAS SAMPLING®, TRIANGLE®, UNI-CHEK®, VALVES®, WTA®, and XOMOX®) are registered trademarks of Crane Co. All rights reserved.