

BOISWOOD

GAS AND LIQUID CONTROL TECHNOLOGIES

Pressure & Vacuum

Flow

Level & Temperature

Tube & Fittings

HVACR

Custom Services



HOKE® 7C Series Ball Valves



Rated to 6000 psi • Multiple Connection Sizes • Low Operating Torque



CRANE Instrumentation & Sampling, HOKE®
PO Box 4866 • Spartanburg, SC 29305-4866
(864) 574-7966 • www.hoke.com



For Your Safety

It is solely the responsibility of the system designer and user to select products suitable for their specific application requirements and to ensure proper installation, operation, and maintenance of these products. When selecting products, the total system design must be considered to ensure safe, trouble-free performance. Material compatibility, product ratings and application details should be considered in the selection. Improper selection or use of products described herein can cause personal injury or property damage.

Contact your authorized HOKE® sales and service representative for information about additional sizes and special alloys.

SAFETY WARNING:

HOKE® products are designed for installation only by professional suitably qualified licensed system installers experienced in the applications and environments for which the products are intended. These products are intended for integration into a system. Where these products are to be used with flammable or hazardous media, precautions must be taken by the system designer and installer to ensure the safety of persons and property. Flammable or hazardous media pose risks associated with fire or explosion, as well as burning, poisoning or other injury or death to persons and/or destruction of property. The system designer and installer must provide for the capture and control of such substances from any vents in the product(s). The system installer must not permit any leakage or uncontrolled escape of hazardous or flammable substances. The system operator must be trained to follow appropriate precautions and must inspect and maintain the system and its components including the product(s) and at regular intervals in accordance with timescales recommended by the supplier to prevent unacceptable wear or failure.

TABLE OF CONTENTS

7C Series Design Features & Typical Applications2

Female NPT Connections

Specifications & Dimensions4

How to Order4

Materials of Construction5

Operating Specifications6

Optional Locking Plate6

Integral / GYROLOK® Tube Connections

Specifications & Dimensions8

How to Order8

Materials of Construction9

Operating Specifications10

Optional Locking Plate10

HOKE® 7C Series Ball Valve

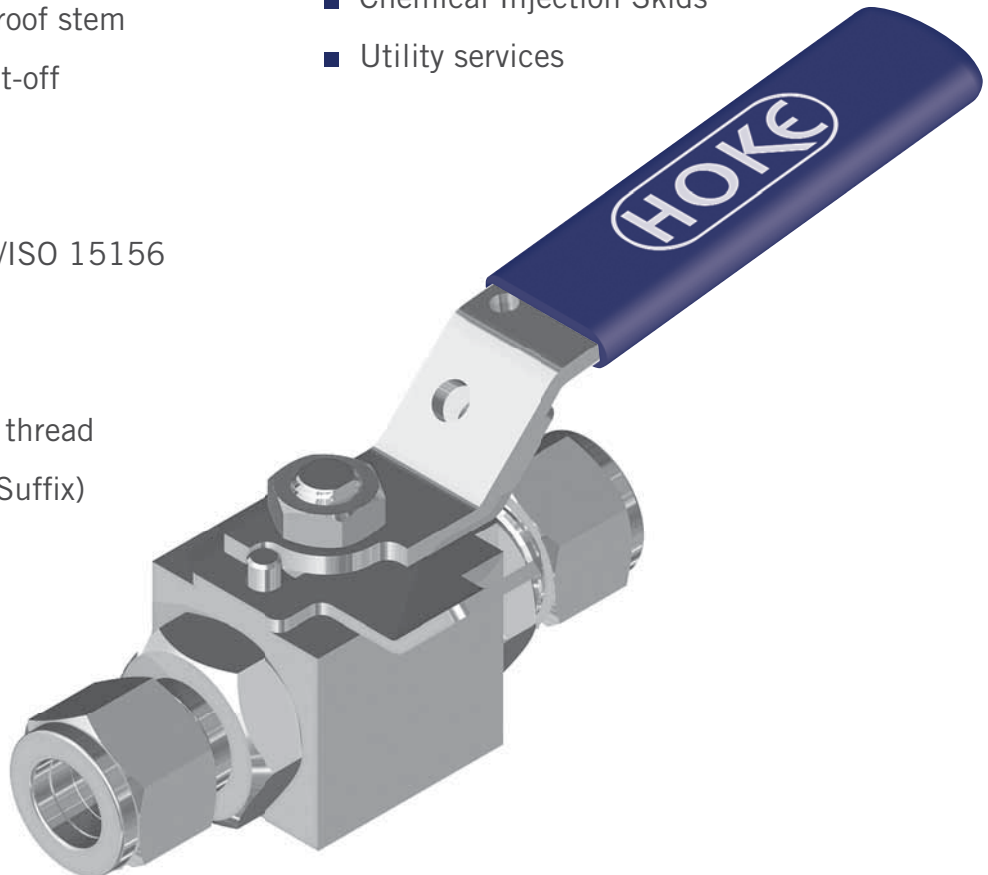
HOKE's 7C ball valve is designed for a range of media up to 6,000 psi. Its internally loaded blow-out proof stem and floating ball for positive shut-off along with its other features offer a robust, compact and easy to operate valve solution. The 7C is available in ¼" thru 1" NPT and integral / GYROLOK® tube connections. Please consult factory for additional material options.

DESIGN FEATURES

- Female NPT connections
- Integral / GYROLOK® tube connections
- Sizes ¼", ⅜", ½", ¾" and 1"
- Working pressures up to 6,000 psi
- Maximum operating temperature 150 C°
- Internally loaded blow-out proof stem
- Floating ball for positive shut-off
- Low operating torque
- Smooth ¼ turn actuation
- 316 SS to NACE MR-01-75/ISO 15156
- Replaceable seats & seals
- Full material traceability
- Special High Tolerance NPT thread
- Locking Plate Optional (-LT Suffix)

TYPICAL APPLICATIONS

- Controls & instrumentation isolation and venting
- Hydrocarbon Gas & Liquid service
- Hydraulic applications
- Wellhead Control Panels
- Chemical Injection Skids
- Utility services

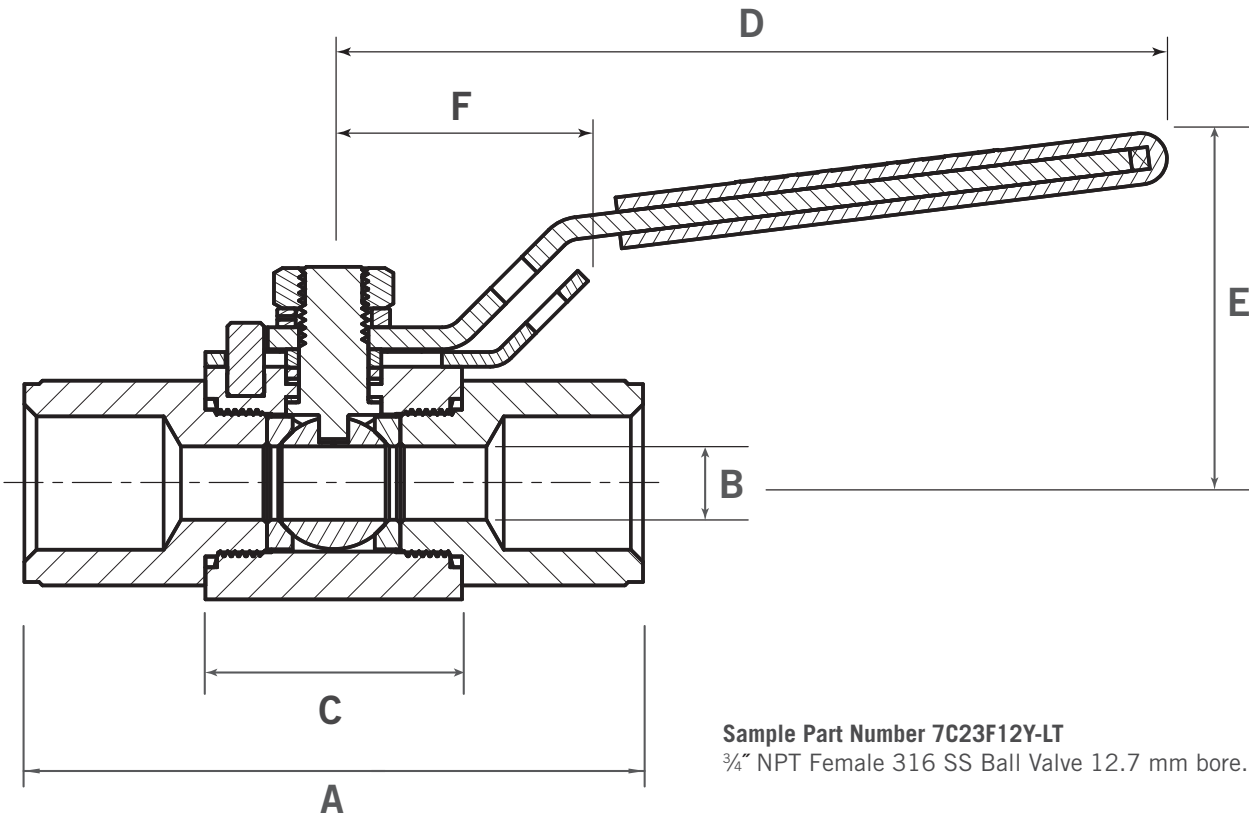


7C Series Ball Valve - Female NPT Connection



7C Series Ball Valve - Female NPT Connection

Specifications & Dimensions



TO ORDER CHOOSE PART NUMBER WITH YOUR REQUIRED SPECIFICATIONS.

Specifications and dimensions in inches and (millimeters)

For reference only and subject to change

Part Number	Description	A	B	C	D	E	WT Kgs	CV _{US}
7C23F4Y	1/4" F NPT	2.76 (70)	.39 (10)	1.26 (32)	4.52 (115)	1.85 (47)	0.457	7.5
7C23F6Y	3/8" F NPT	2.99 (76)	.39 (10)	1.26 (32)	4.52 (115)	1.81 (46)	0.463	7.5
7C23F8Y	1/2" F NPT	3.31 (84)	.39 (10)	1.25 (31.8)	4.48 (114)	1.81 (46)	0.501	7.5
7C23F12Y	3/4" F NPT	3.50 (89)	.50 (12.7)	1.25 (31.8)	4.48 (114)	1.93 (49)	0.755	12.0
7C23F16Y	1" F NPT	4.37 (111)	.75 (19.05)	2.0 (50.8)	7.72 (196)	2.72 (69)	1.669	32.0

To order locking plate option, add -LT to valve part number.

Custom Options

Please consult factory for other materials, bore sizes, handle options and connection options.

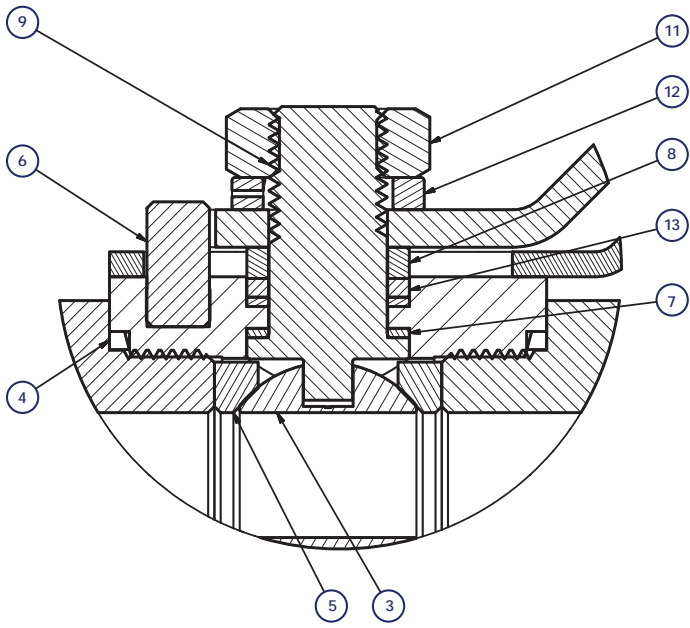
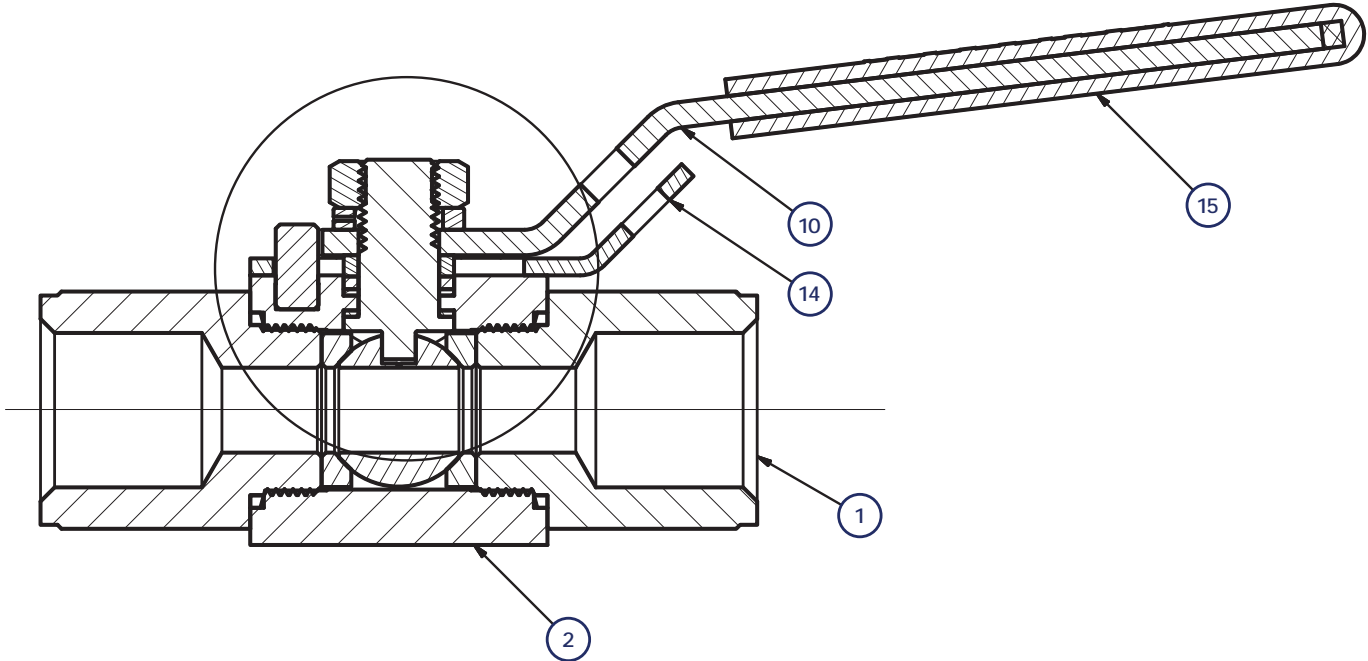
The actual pressure ratings for any alternative option will vary from those stated – please consult with factory for your specific requirements.

The specification of any alternative material, connection or tubing is critical to the overall performance of the system.

Caution should be exercised by the user to ensure proper selection in accordance with actual operating or design conditions.

7C Series Ball Valve - Female NPT Connection

Materials of Construction Shown with Optional Locking Plate



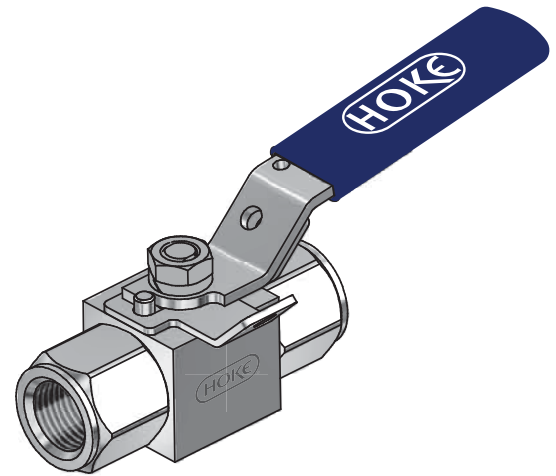
MATERIALS OF CONSTRUCTION

ITEM	QTY	DESCRIPTION	MATERIAL
1	2	NPT ENDCAP	AISI 316 SS
2	1	BODY	AISI 316 SS
3	1	BALL	AISI 316 SS
4	2	BODY SEAL	PTFE
5	2	SEAT-PVDF	PVDF
6	1	STOP PIN PANEL MOUNT	AISI 316 SS
7	2	STEM SEAL	RTFE
8	1	STEM SPACER	AISI 316 SS
9	1	STEM	AISI 316 SS
10	1	R H LEVER HANDLE	AISI 316 SS
11	1	UNF HALF NUT	A4 St Steel
12	1	SQ SECT SPRING WASHER	A4 St Steel
13	1	ACTUATED STEM SPACER	AISI 316 SS
14	1	LOCKING PLATE	AISI 316 SS
15	1	SMALL BLUE SLEEVE-HOKE	PVC Plastic

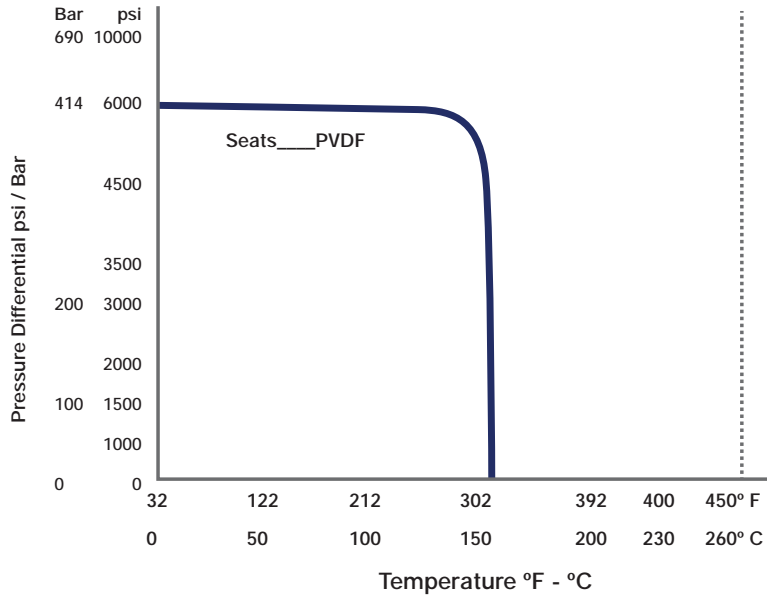
Sample Part Number 7C23F8Y-LT
 1/2" NPT Female 316 SS Ball Valve 10 mm bore.

7C Series Ball Valve- Female NPT Connection

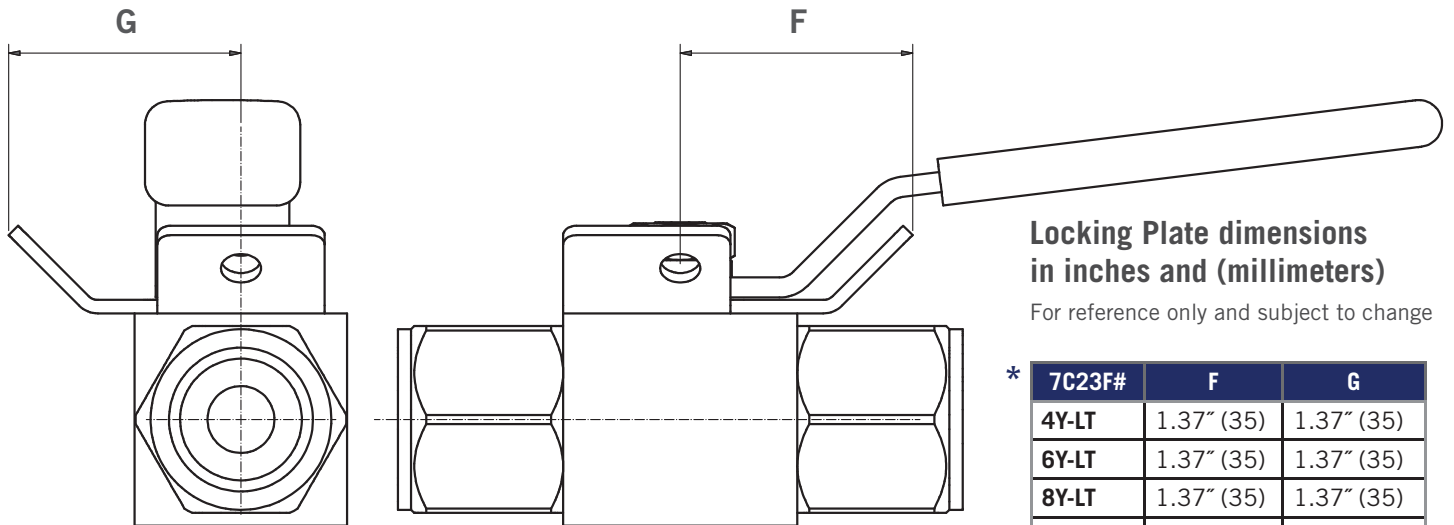
Operating Specifications



7C Series Pressure / Temperature Graph



TECHNICAL DATA		
MAX. OPERATING PRESSURE	6000 PSI	414 BAR
MAX OPERATING TEMPERATURE	302 °F	150 °C
MIN OPERATING TEMPERATURE	-22 °F	-30 °C
BASIC MATERIAL	316 STAINLESS STEEL	



Locking Plate dimensions in inches and (millimeters)

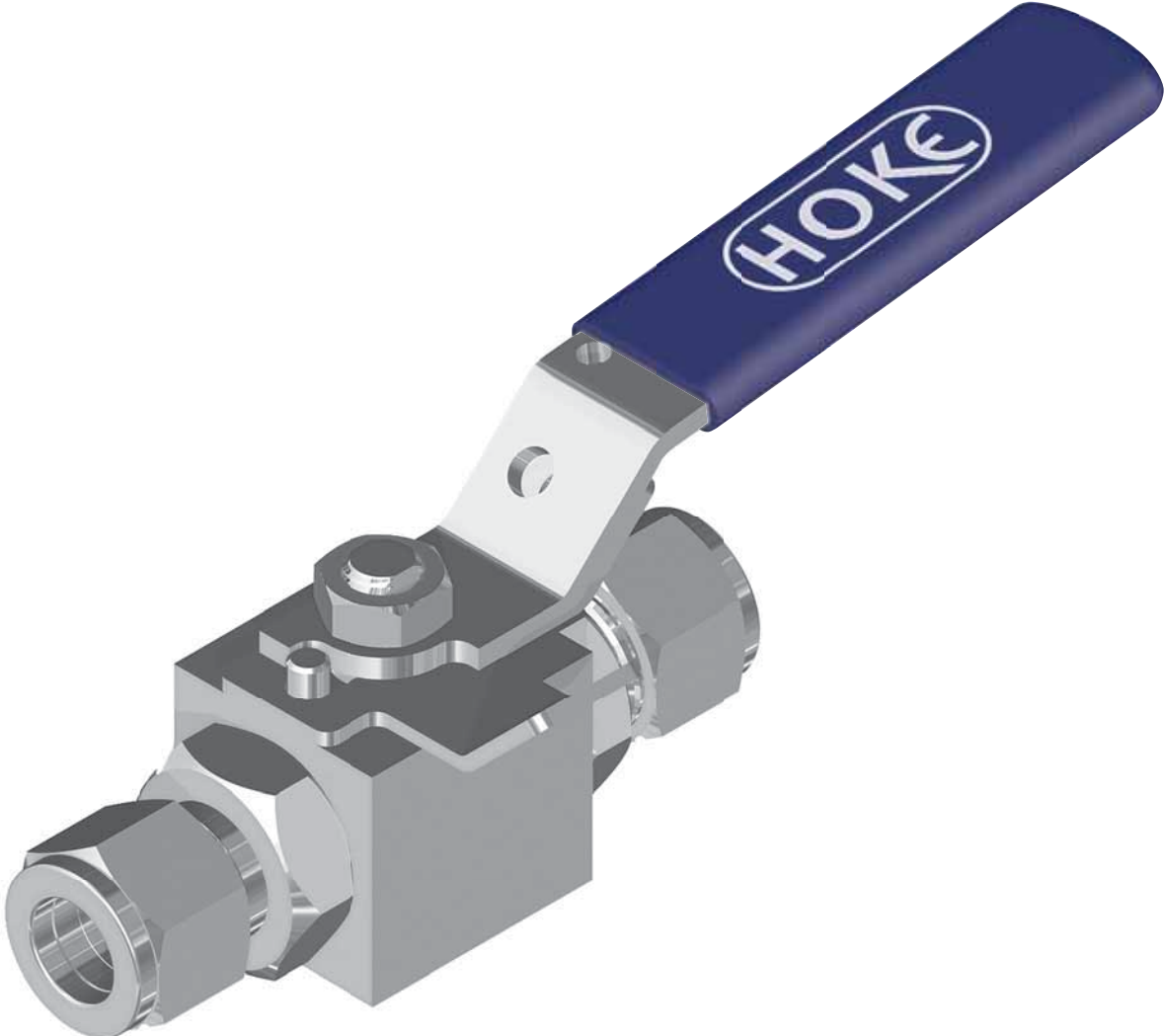
For reference only and subject to change

* 7C23F#	F	G
4Y-LT	1.37" (35)	1.37" (35)
6Y-LT	1.37" (35)	1.37" (35)
8Y-LT	1.37" (35)	1.37" (35)
12Y-LT	1.37" (35)	1.37" (35)
16Y-LT	1.89" (48)	1.89" (48)

*To order locking plate option, add -LT to valve part number as shown

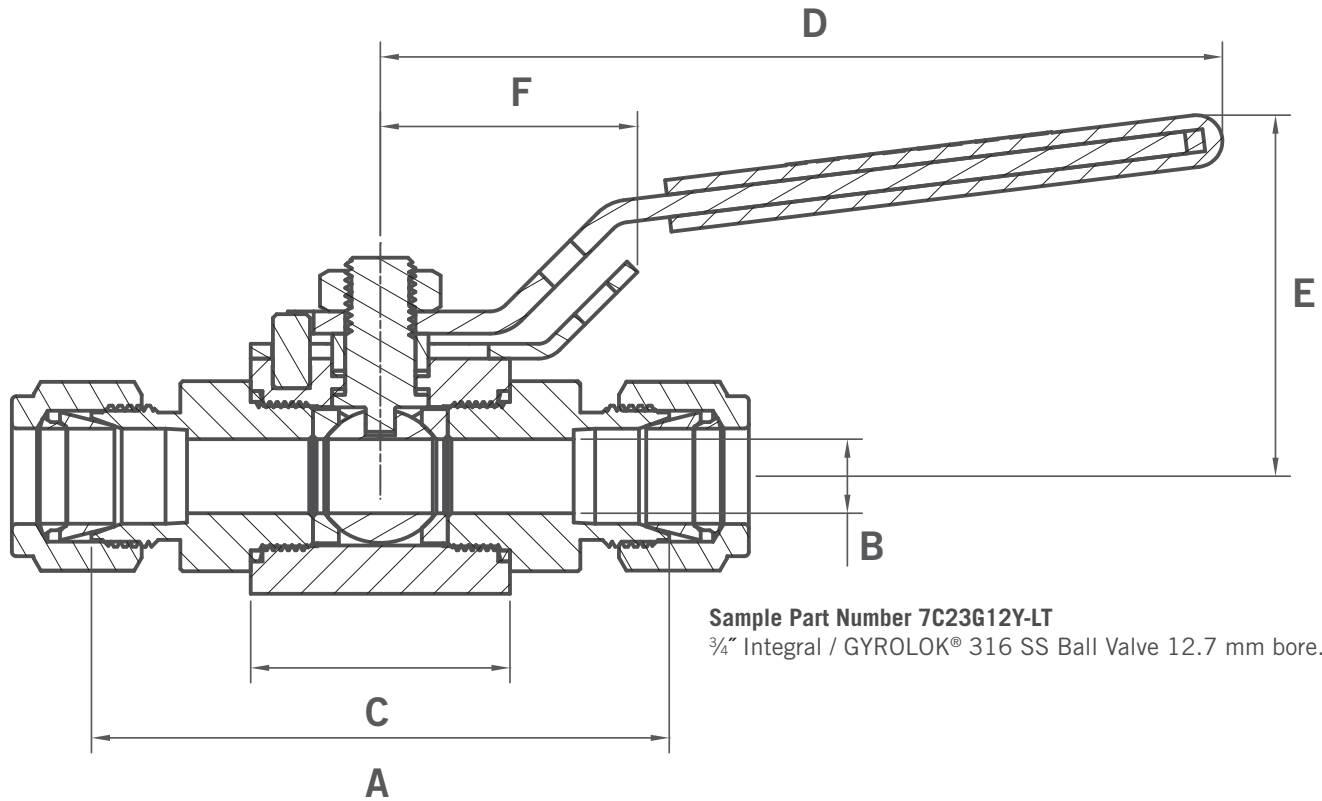


7C Series Ball Valve - Integral / GYROLOK® Tube Connections



7C Series Ball Valve - Integral / GYROLOK® Tube Connections

Specifications & Dimensions



TO ORDER CHOOSE PART NUMBER WITH YOUR REQUIRED SPECIFICATIONS.

Specifications and dimensions in inches and (millimeters)

For reference only and subject to change

Part Number	Description	A	B	C	D	E	F	WT Kgs	CV _{US}
7C23G4Y	1/4"	2.83" (72)	0.39" (10)	1.37" (35)	4.52" (115)	2.16" (55)	1.37" (35)	0.45	7.5
7C23G6Y	3/8"	2.95" (75)	0.39" (10)	1.37" (35)	4.52" (115)	2.16" (55)	1.37" (35)	0.46	7.5
7C23G8Y	1/2"	2.95" (75)	0.39" (10)	1.37" (5)	4.52" (115)	2.16" (55)	1.37" (35)	0.50	7.5
7C23G12Y	3/4"	2.99" (76)	0.50" (12.7)	1.37" (35)	4.52" (115)	2.40" (61)	1.37" (35)	0.75	12.0
7C23G16Y	1"	4.13" (105)	0.75" (19.05)	2.04" (38)	7.72" (196)	2.63" (67)	1.89" (48)	1.6	32.0

For locking handle option, add -LT to valve part number.

Custom Options

Please consult factory for other materials, bore sizes, handle options and connection options.

The actual pressure ratings for any alternative option will vary from those stated – please consult with factory for your specific requirements.

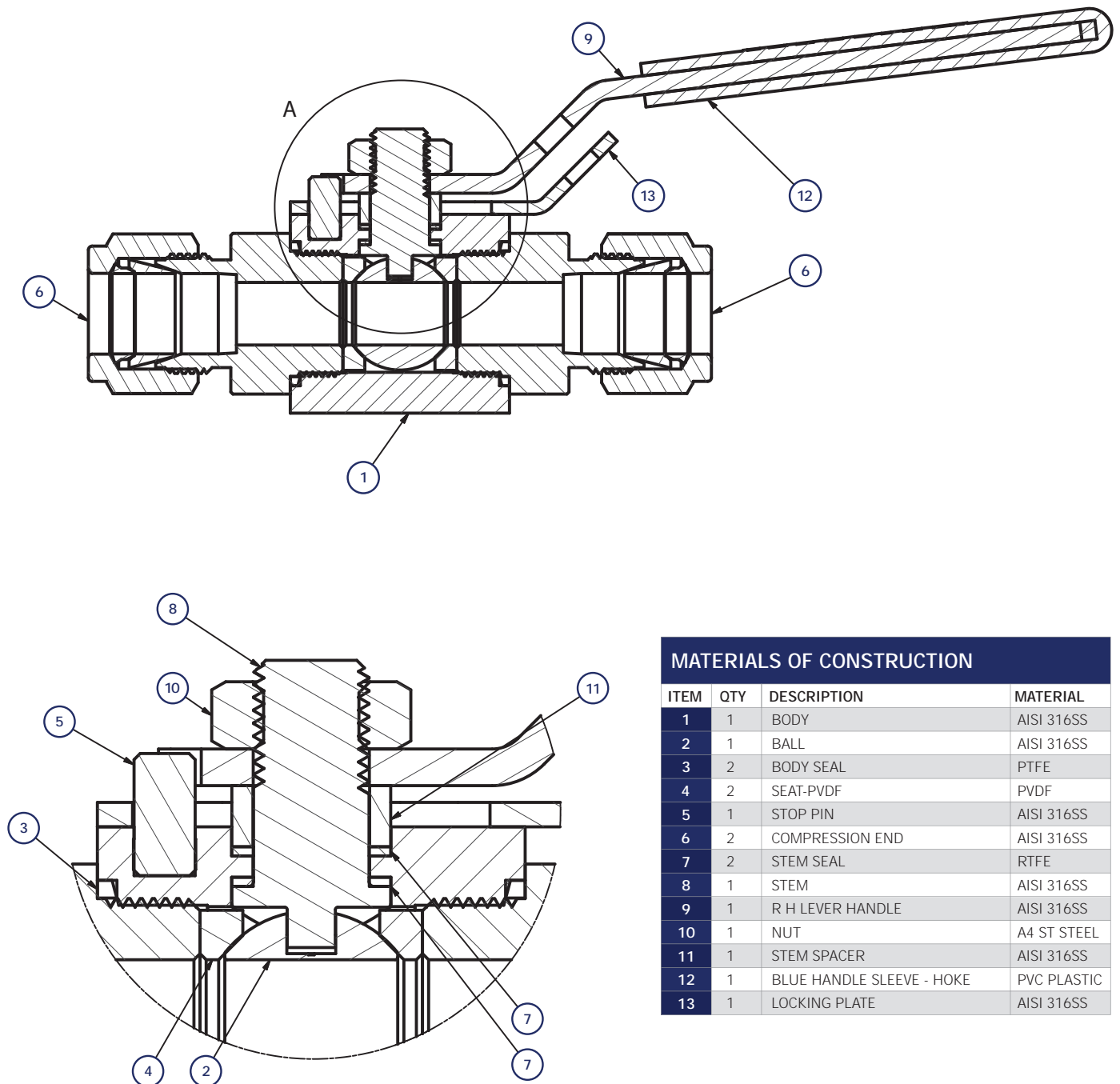
The specification of any alternative material, connection or tubing is critical to the overall performance of the system.

Caution should be exercised by the user to ensure proper selection in accordance with actual operating or design conditions.

7C Series Ball Valve - Integral / GYROLOK® Tube Connections

Materials of Construction

Shown with Optional Locking Plate



MATERIALS OF CONSTRUCTION

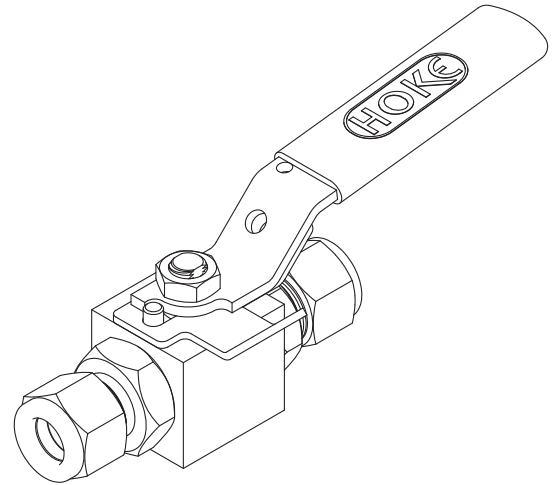
ITEM	QTY	DESCRIPTION	MATERIAL
1	1	BODY	AISI 316SS
2	1	BALL	AISI 316SS
3	2	BODY SEAL	PTFE
4	2	SEAT-PVDF	PVDF
5	1	STOP PIN	AISI 316SS
6	2	COMPRESSION END	AISI 316SS
7	2	STEM SEAL	RTFE
8	1	STEM	AISI 316SS
9	1	R H LEVER HANDLE	AISI 316SS
10	1	NUT	A4 ST STEEL
11	1	STEM SPACER	AISI 316SS
12	1	BLUE HANDLE SLEEVE - HOKE	PVC PLASTIC
13	1	LOCKING PLATE	AISI 316SS

Sample Part Number 7C23G8Y-LT

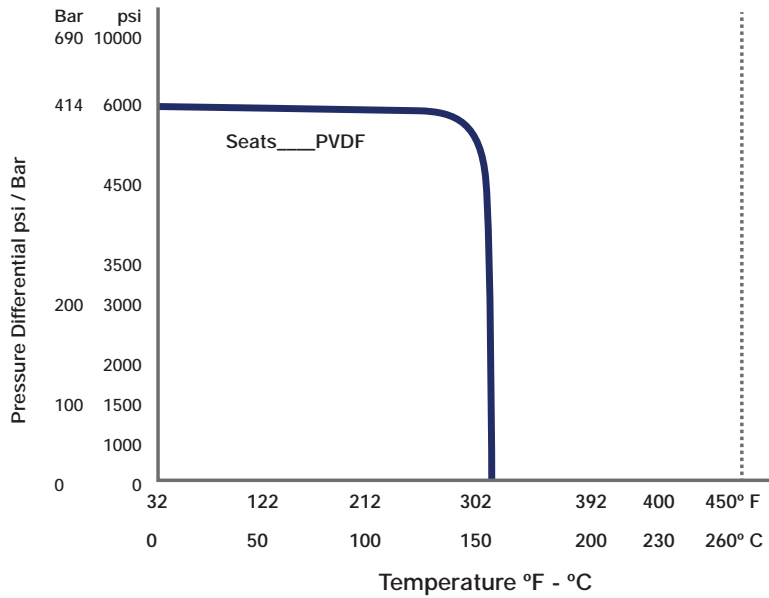
½" Integral / GYROLOK® 316 SS Ball Valve 10mm bore.

7C Series Ball Valve - Integral / GYROLOK® Tube Connections

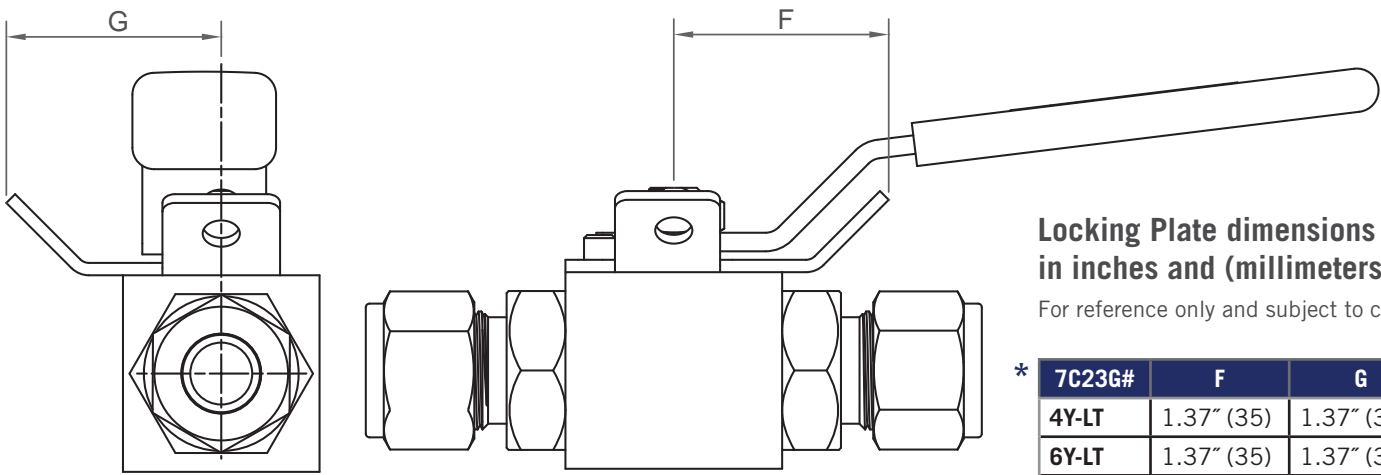
Operating Specifications



7C Series Pressure / Temperature Graph



TECHNICAL DATA		
MAX. OPERATING PRESSURE	6000 PSI	414 BAR
MAX OPERATING TEMPERATURE	302 °F	150 °C
MIN OPERATING TEMPERATURE	-22 °F	-30 °C
BASIC MATERIAL	316 STAINLESS STEEL	



Locking Plate dimensions in inches and (millimeters)

For reference only and subject to change

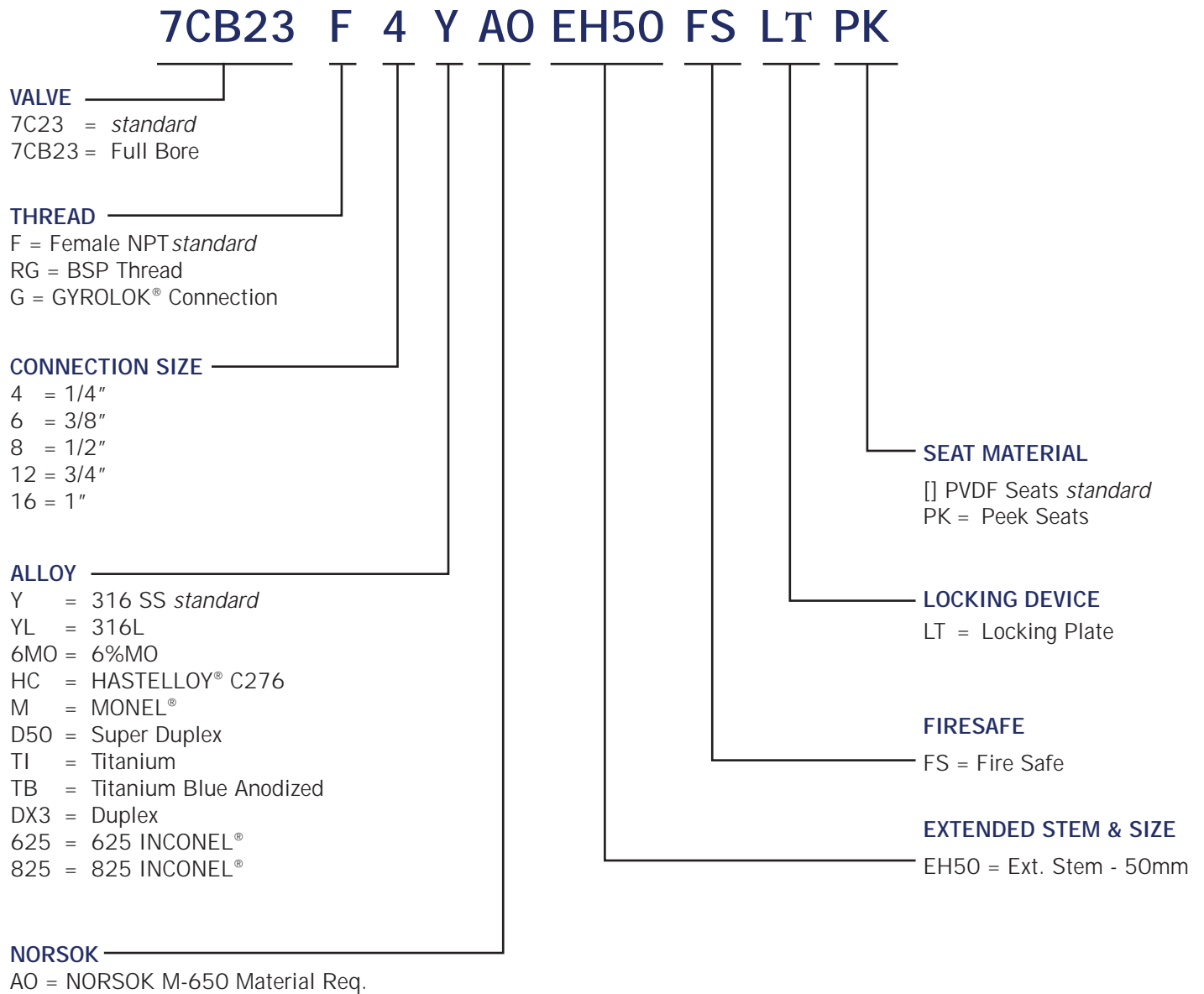
* 7C23G#	F	G
4Y-LT	1.37" (35)	1.37" (35)
6Y-LT	1.37" (35)	1.37" (35)
8Y-LT	1.37" (35)	1.37" (35)
12Y-LT	1.37" (35)	1.37" (35)
16Y-LT	1.89" (48)	1.89" (48)

*To order locking plate option, add -LT to valve part number as shown



7C Series Ball Valve - Integral / GYROLOK® Tube Connections

How to Order Custom Options





The Small Bore Instrumentation Specialists



We specialize in small bore instrumentation products up to 2" that deliver benchmark performance quality & safety; provide the broadest array of superior alloy offerings in the market; decades of proven success in a wide range of industries; a roster of "who's who" customers & projects globally; original "Best Solution" engineering & designs; and are focused on continuous improvement in all aspects of our business.

Proudly Distributed By:



CRANE INSTRUMENTATION &
SAMPLING Inc.
405 Centura Ct.
Spartanburg, SC 29305, USA
Tel: 1-864-574-7966
PO Box 4866, Spartanburg, SC
29305-4866 USA

Crane Co., and its subsidiaries cannot accept responsibility for possible errors in catalogues, brochures, other printed materials, and website information. Crane Co. reserves the right to alter its products without notice, including products already on order provided that such alteration can be made without changes being necessary in specifications already agreed. All trademarks in this material are the property of the Crane Co. or its subsidiaries. The Crane and Crane brands logotype (CENTER LINE®, COMPAC-NOZ®, CRANE®, DEPA® & ELRO®, DOPAK®, DUO-CHEK®, FLOWSEAL®, GYROLOK®, GO REGULATOR®, HOKE®, JENKINS®, KROMBACH®, NOZ-CHEK®, PACIFIC VALVES®, RESISTOFLEX®, REVO®, SAUNDERS®, STOCKHAM®, TEXAS SAMPLING®, TRIANGLE®, UNI-CHEK®, VALVES®, WTA®, and XOMOX®) are registered trademarks of Crane Co. All rights reserved.