

# AS Series

- ▶ MOPD: 150 PSI (10 Bar)
- ▶ C<sub>v</sub> Range: 0.02 to 0.30 (K<sub>v</sub> Range: 0.017 to 0.256)
- ▶ 7 Watts

The AS Series is a 2-way isolation valve, designed to control the flow of various aggressive liquids and gases with several body and diaphragm materials. With a modular design, the AS offers performance flexibility and the protection your media needs from the solenoid's internal components. Numerous port configurations, voltage options, and coil constructions enable the AS Series to be a truly versatile miniature inert isolation valve, easily integrated into any complex or demanding system.

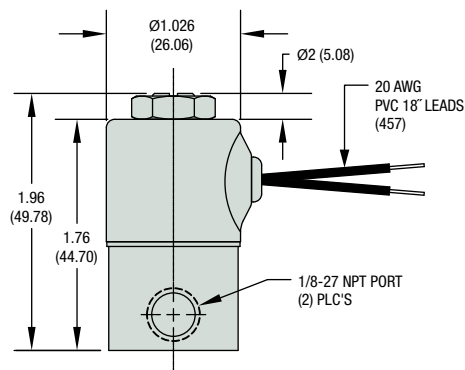
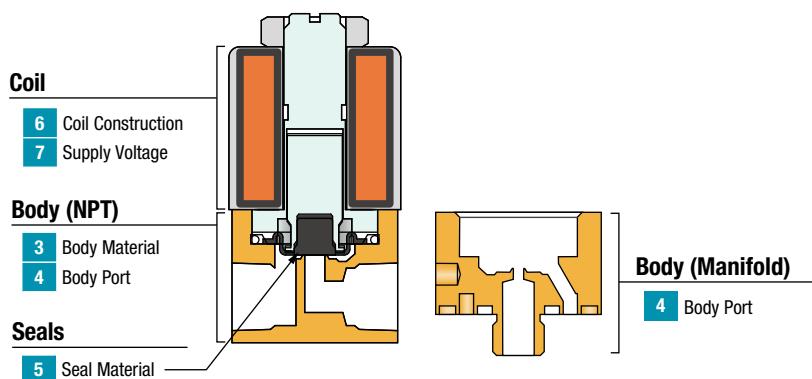
## Typical Applications

- Analytical Instruments
- Clinical Diagnostic Analyzers
- Bio-Instrumentation



## Reference

### 2-Way Valve



### Example Shown

Part Number: AS2036-01LC-V-G1-204  
From How to Order example below.

## How To Order

Valve Part Numbers are built from a series product codes. Use the **Bold** product codes from the choices listed on the following page to construct a complete Part Number.

<b>AS</b>	<b>20</b>	<b>36</b>	-	<b>01</b>	<b>LC</b>	-	<b>V</b>	-	<b>G1</b>	-	<b>204</b>
Series	Function	MOPD	-	Body Material	Body Port	-	Seal Material	-	Coil Construction	-	Supply Voltage

### Product Description from Example Shown Above:

#### AS2036-01LC-V-G1-204

- AS2036 = AS Series with 2-Way Normally Closed Valve Function; 15 MOPD
- 01LC = 303 Stainless Steel Body Material; 1/8" NPT Female Body Port
- V = Viton® Seal Material
- G1 = Grommet Housing, Tape-Wrapped (Class B) Coil Construction
- 204 = 24 VDC Supply Voltage

# AS Series – Part Number Build

Build a Valve Part Number by filling in the boxes below using the related code numbers on this page.

<b>AS</b>								
Series	1	2	3	4	5	6	7	

## 1 + 2 Valve Function & Maximum Operating Pressure Differential

Valve Function	Code	MOPD		Max Back Pressure		C <sub>v</sub>	K <sub>v</sub>	Orifice	
		psig	bar	psig	bar			Body	
						inches	mm		
2-WAY Normally Closed	2017	150	10	5	0.7	0.020	0.017	1/32	0.79
	2021	110	7.6	5	0.7	0.035	0.030	3/64	1.19
	2023	90	6.2	5	0.7	0.065	0.055	1/16	1.59
	2027	70	4.8	5	0.7	0.090	0.077	5/64	1.98
	2030	45	3.1	5	0.7	0.155	0.132	3/32	2.38
	2036	15	1.0	5	0.3	0.240	0.205	1/8	3.18
	2038	5	0.3	5	0.3	0.300	0.256	5/32	3.97

### 3 Body Material

- 01** 303 Stainless Steel
- 03** Brass
- 05** 316 Stainless Steel

### 6 Coil Construction

- G1** Grommet Housing,  
Tape-Wrapped (Class B) Lead Wires
- G5** Grommet Housing,  
Epoxy Encapsulated (Class B) Lead Wires

### 4 Body Port

- LC** 1/8" NPT Female
- MM** Manifold Mount  
(1/4"-28 Stud)

### 7 Supply Voltages

- 203** 12 VDC
- 204** 24 VDC

### 5 Seal Material

- E** EPR
- V** Viton®

# AS Series – Additional Component Details & Dimensions

## 1 Valve Function

### Flow Schematic

#### Flow Key

- Blocked Flow
- Free Flow
- O/S = Over Seat
- U/S = Under Seat

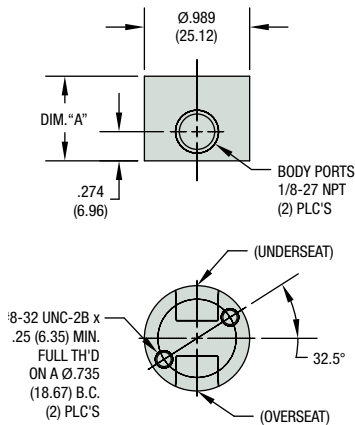
Valve Type	De-Energized	Energized
2-Way Normally Closed		

# AS Series – Additional Component Details & Dimensions, cont.

## 4 Body Port

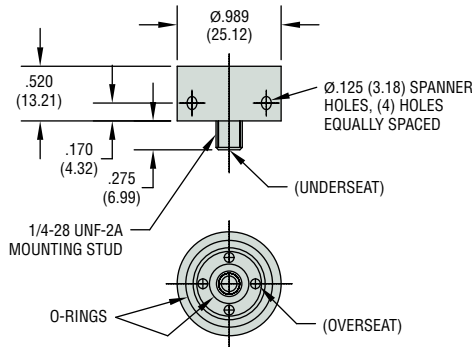
### Ported Bodies

#### 1/8" NPT Port (LC)

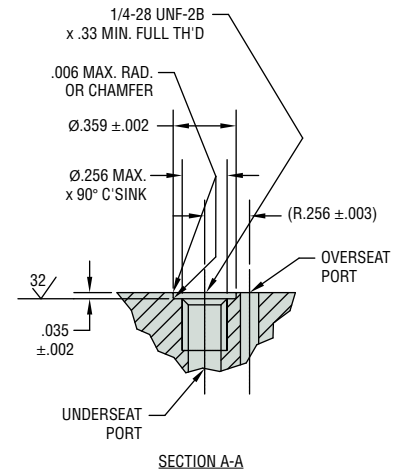
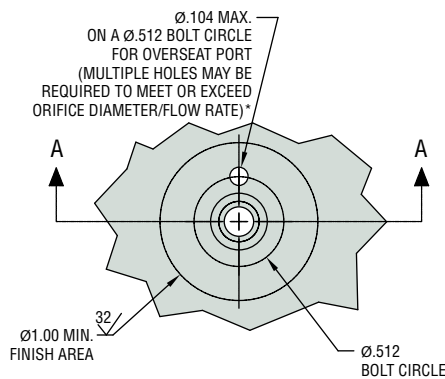


Orifice Size Range	Dim. "A"
1/32" – 3/32"	.795 (20.19)
1/8" & 5/32"	.820 (20.83)

#### Manifold Mount 1/4"-28 Stud Body (MM)



#### Manifold Preparation



\* If the total area of overseat port is less than the orifice diameter, then the overseat is the restrictor.

Valve Type	Overseat Port	Underseat Port
2-Way N.C.	OUT	IN

## 6 Coil Construction

