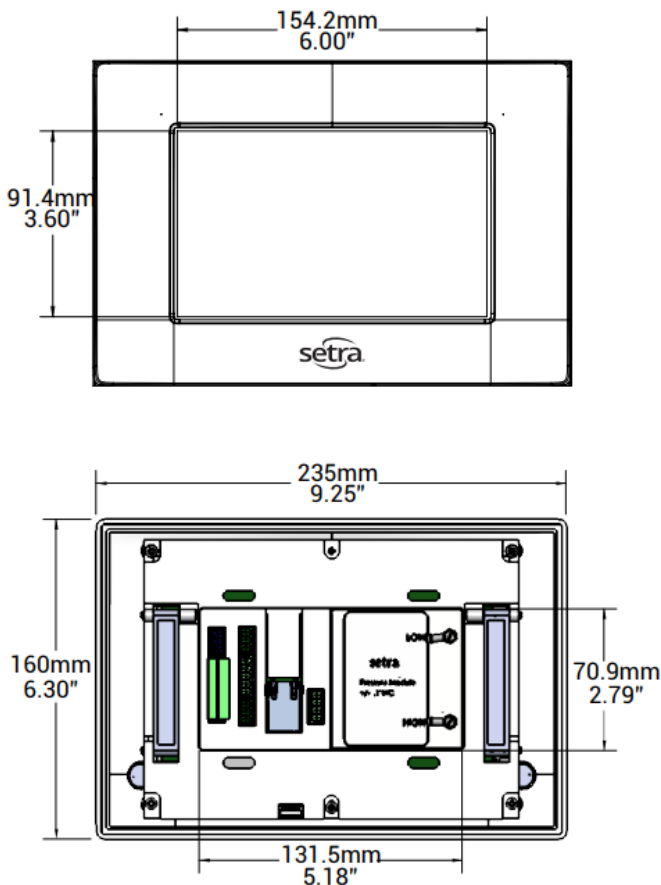


setraFLEX Product Note

Environmental Monitor

The new Setra FLEX™ provides a flexible room environmental control and monitoring solution in a simple-to-use package. An attractive flush-mount faceplate is complemented by an intuitive graphical display to meet any architectural requirement. The unit supports 3 rooms, monitoring up to 6 parameters for each room.



Features & Benefits

- Supports 3 Rooms (6 Parameters Each)
- 7" Projected Capacitive Touch Screen
- BACnet/IP & BACnet MS/TP
- Flush Mount to Wall
- No Programming Required
- 0.25% High Accuracy Sensor Standard
- 4 Inputs & 2 Outputs On-Board
- 4 Customisable Room Profiles
- 2 Levels of Password Security
- User-Defined On-Screen Text and Icons
- Full Touch Response with Gloves
- Mounts in standard Electric Boxes
- On Board or External Pressure Transducer
- Expansion I/O Module Available

Have your pressure transducer on-board or external

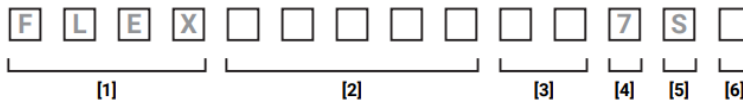


FLEX mounts in a standard 3-gang electrical box



Display flips down and stays on, making recalibration quick and easy

Expansion I/O adds 8 inputs, 4 outputs, and 4 relays, giving you sensing and control options



[1]

| Model | |
|-------------|-------------|
| FLEX | Setra FLEX™ |

[2]

| Pressure transducer range for on-board sensor | |
|---|---------------|
| R05WB | ±0.05" WC |
| OR1WB | ±0.10" WC |
| R25WB | ±0.25" WC |
| OR5WB | ±0.50" WC |
| 001WB | ±1.00" WC |
| Z02LB | ±12.5 Pa |
| 025LB | ±25 Pa |
| 050LB | ±50 Pa |
| 100LB | ±100 Pa |
| 250LB | ±250 Pa |
| NNNNN | No Transducer |

[3]

| Monitor or controller | |
|-----------------------|--|
| RM | Monitor Only, No Control Operation |
| RC | Control and Monitoring, Full Control Operation |

[4]

| Display | |
|----------|-----------|
| 7 | 7" screen |

[5]

| Faceplate | |
|-----------|------------|
| S | Setra Logo |

[6]

| Pressure snubber ¹ | |
|-------------------------------|------------|
| N | Quantity 0 |
| 1 | Quantity 1 |
| 2 | Quantity 2 |
| 3 | Quantity 3 |
| 4 | Quantity 4 |
| 5 | Quantity 5 |
| 6 | Quantity 6 |

¹Stainless steel pressure pickup port, 2.75" x 4.5", mounts in standard single-gang wall box. Typically 2 are required for each room.